

8 QAM/8VSB Transcoder to QAM/IP

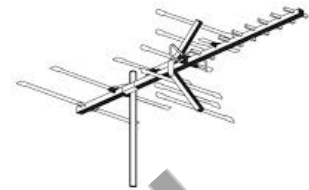


Model: AQT8-QAM/IP
Stock#: 6281

Off-Air and QAM Video Content Delivery



Digital Off-Air



8VSB



QAM



Service Provider



Digital CATV

QAM

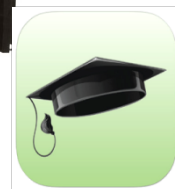
Hotels Government Hospitals



QAM



GigE

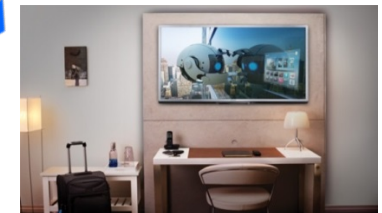


IPTV

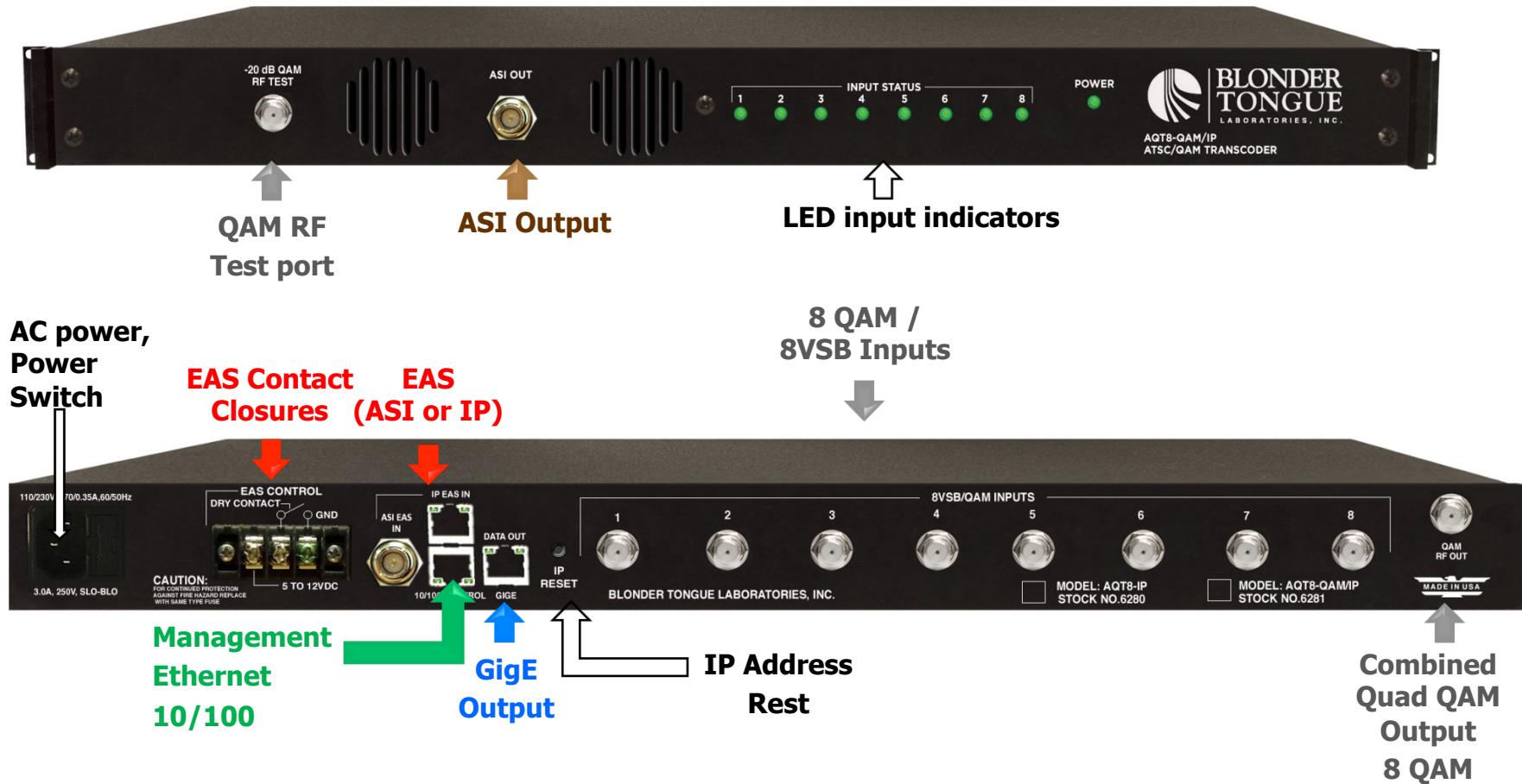
Universities

Retail

Stadiums



AQT8-QAM/IP Platform



AQT8-QAM/IP (Stock # 6281)



- Eight QAM or 8VSB inputs
 - 20 programs maximum input per port
- EAS
 - ASI or IP input
 - Contact Closure
- 8 QAM Output (Combined two QUAD QAM)
 - QAM / 8VSB input programs map directly to QAM output channels
 - No EAS support
- GigE Output
 - Supports a combination of MPTS and SPTS (up to 8 IP addresses)
 - 20 programs maximum via GigE output
 - EAS program substitution via ASI or IP input



AQT8-QAM/IP GigE output Features



- Allows program selection from any input to any IP output
- Selectable IP output can be groomed to ASI output port
- Supports both Unicast and Multicast
- Supports UDP and RTP Protocols
- Each program elementary stream can support 1 video + 3 audio
- PID editing and PSIP support
- Removes IP Jitter and re-stamps PCR
- Provides Null Packet Insertion and Deletion
- MPTS and SPTS



AQT8-QAM/IP Benefits



- ❑ Accepts Terrestrial and Cable Video Streams
- ❑ Provides QAM and GigE outputs simultaneously
- ❑ Supports both MPEG-2 and H.264 codec
- ❑ Closed Captioning EIA-608 and EIA-708
- ❑ Both HD and SD programming in the same chassis
- ❑ -20dB QAM Output Test
- ❑ 8 Input Status LEDs and 1 Power LED
- ❑ GUI-based menu for local & remote configuration
- ❑ Remote Software Updates via FTP and Telnet



AQT8-QAM /IP

Grooming Input programs to IP Output



Input		
	Parameters	
All ▼		
1	Modulation Mode	8-VSB
	Input Frequency	33 / 587MHz
	Input Baud Rate	5381119
1	48 PMT (WCBS-HD) 1	17.6
	49 MPEG-2 Video	17.1
	52 AC3 Audio (ENG)	0.4
	53 AC3 Audio (SPA)	0.1
1	64 PMT (CBSNY+) 2	1.0
	65 MPEG-2 Video	0.8
	68 AC3 Audio (ENG)	0.2
2	Modulation Mode	8-VSB
	Input Frequency	28 / 557MHz
	Input Baud Rate	5381119
2	48 PMT (WNBC) 3	15.6
	49 MPEG-2 Video	15.1
	52 AC3 Audio (ENG)	0.4
	53 AC3 Audio (SPA)	0.2
2	64 PMT (COZI-TV) 4	1.5
	65 MPEG-2 Video	1.3
	68 AC3 Audio (ENG)	0.2

Input / Output Grooming of Programs

- Real-time display of input / output programming information
- Allows program selection from any input to any IP output
- Ability to select Output stream stat-muxing Priority

IP Output		Bitrates
Output 1 - 239.10.10.10:50000		17.5
1	48 PMT (WCBS-HD) 1	17.5
	49 MPEG-2 Video	17.1
	52 AC3 Audio (ENG)	0.4
Output 2 - 239.10.10.11:50000		15.4
2	48 PMT (WNBC) 3	15.4
	49 MPEG-2 Video	15.1
	52 AC3 Audio (ENG)	0.4
Output 3 - 239.10.10.12:50000		6.9
3	64 PMT (LivWell) 2	6.9
	65 MPEG-2 Video	6.8
	68 AC3 Audio (ENG)	0.1
Output 4 - 239.10.10.13:50000		2.0
4	64 PMT (WNYW-SD) 4	2.0
	65 MPEG-2 Video	1.7
	68 AC3 Audio (ENG)	0.3
Output 5 - 239.10.10.14:50000		11.9
5	80 PMT (WNET-HD) 5	11.9
	81 MPEG-2 Video	11.6
	84 AC3 Audio (ENG)	0.4
Output 6 - 239.10.10.15:50000		12.0
6	48 PMT (NYLIFE) 1	12.0
	49 MPEG-2 Video	11.8
	52 AC3 Audio (ENG)	0.2



AQT8-QAM /IP

Editing of Program Information



IP Output Mapping							
8VSB Input	PID	Program Number	Short Name	Major Ch.	Minor Ch.	Low Priority	
Output 1 - 172.16.70.2:50000							
1	48 PMT (WCBS-HD)	48	1	WCBS-HD	2	1	<input checked="" type="radio"/>
	49 MPEG-2 Video	49					
	52 AC3 Audio (ENG)	52					
2	48 PMT (WNBC)	48 58	3	WNBC	4	1	<input type="radio"/>
	49 MPEG-2 Video	49 59					
	52 AC3 Audio (ENG)	52 62					

- Duplicate PIDs/Program Numbers/Channels/Channel Names may exist when mapping programs.
- Apply necessary correction to Program information via IP Output Mapping Tab
- For example: The PIDs for the 2nd program WNBC are reassigned to 58, 59, 62 removing the duplication



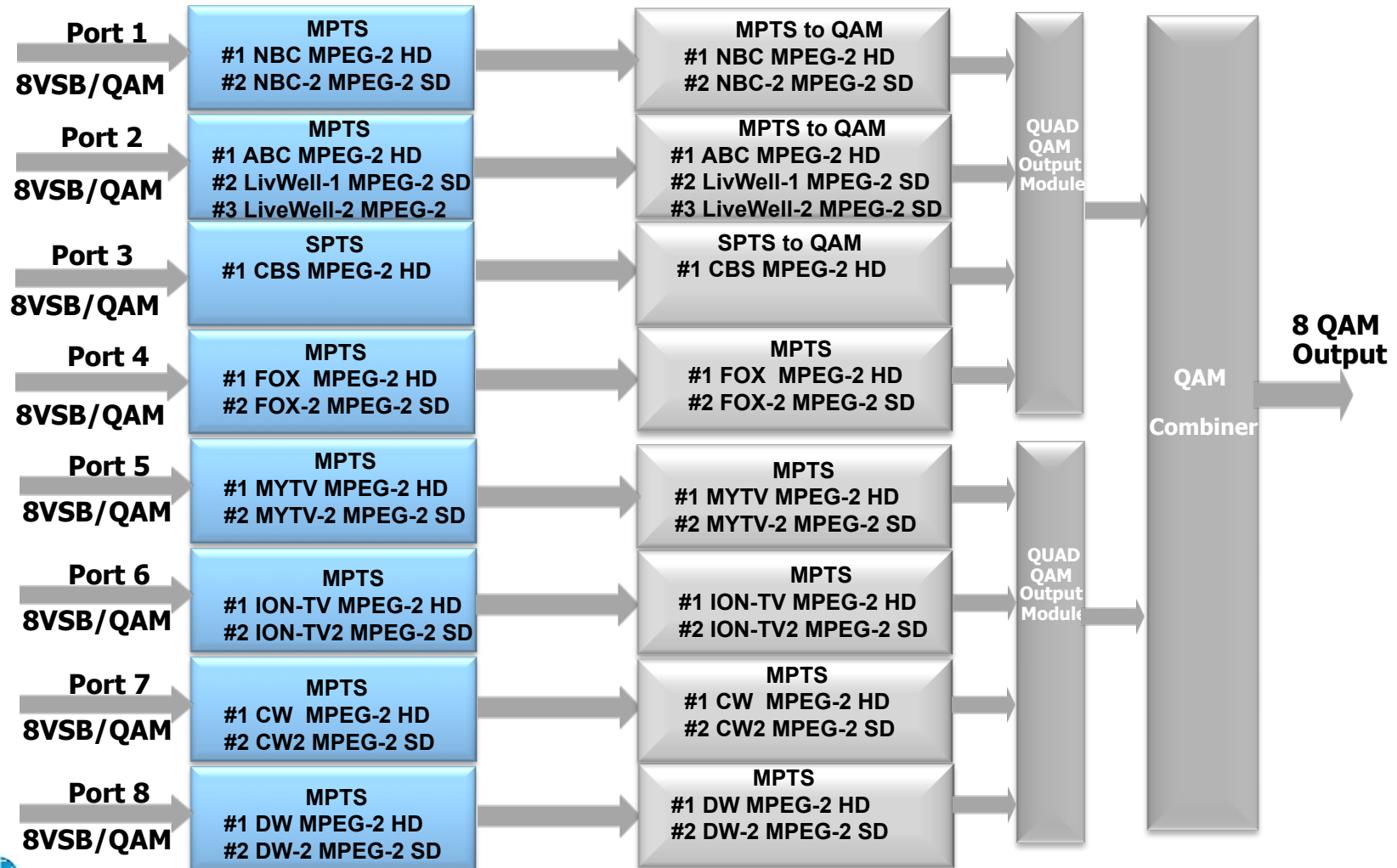
AQT8-QAM /IP Configurations



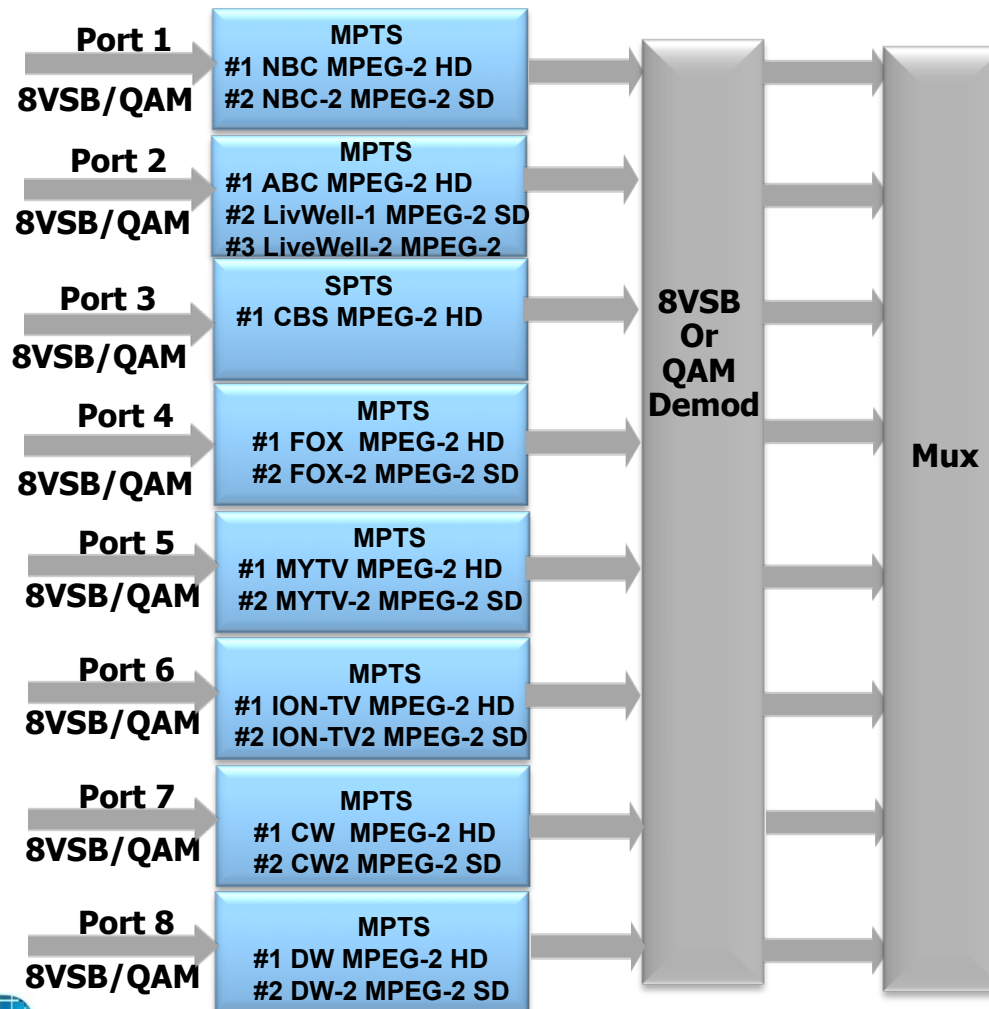
- QAM or 8VSB Input
 - Accepts 20 programs per input in SPTS or MPTS format
- QAM output
 - MPTS or SPTS maps directly to QAM output channels
- GigE Output
 - Provides a maximum of 20 output programs in combination of either SPTS and/or MPTS format
 - Supports up to 8 IP addresses
 - MPTS-to-MPTS example:
 - 8 MPTS terrestrial streams are groomed to 5 MPTS
 - 20 HD/SD programs per split across 5 MPTS
 - MPTS-to-SPTS example:
 - 8 MPTS terrestrial streams are groomed to 8 SPTS
 - 8 HD/SD SPTS programs (1 program per IP address)
 - MPTS-to-MPTS/SPTS example:
 - 8 MPTS terrestrial streams are groomed to a combination of MPTS and SPTS for example: 4 MPTS (max 16 programs) and 4 SPTS (4 programs) or 2 MPTS (max 18 programs) and 2 SPTS (2 programs) etc...



8VSB/QAM to QAM Output



8VSB/QAM to GigE



Allows program selection from any input to any IP output

