



# DISH 1000.2

### HIGHLIGHTS

- Receives signal from the 110°, 119° and 129° orbital locations.
- Antenna reflector size is slightly larger than a DISH 1000.
- Standard installation uses DISH Pro Plus 1000.2 LNB and Integrated Adapter Bracket.
  - Three receiver output ports.
  - One LNB input port for a fourth orbital location.
  - Compatible with DISH Pro single-orbital LNBs or DISH Network bandstacked LNBs, and DISH Pro Plus 44 switch.
- Optional installation: three Dual (or Single) LNBs with Three-LNB Bracket and a switch.



*DISH 1000.2 with DP Plus 1000.2 LNB*

### PART NUMBERS

- Antenna assembly Kit #143897 - includes reflector, mast/foot, backing structure and Integrated Adapter Bracket (for DPP 1000.2 LNB)
- DPP 1000.2 LNB #145511
- Three-LNB Bracket #151239 (10-pack)
- 10-packs also available for reflector, mast/foot, and backing structure

### DESCRIPTION

The DISH 1000.2 receives signal from the 110°, 119° and 129° DBS orbital locations. The DISH Pro Plus 1000.2 LNB supports three receivers and includes an LNB input port for a fourth orbital location.

### DPP 1000.2 LNB FEATURES

- Supports connection of up to three satellite receivers in any combination\*:
  - Single-cable connection to DISH Pro Plus<sup>1</sup> (dual-tuner) receivers, when each is used with a DP Plus Separator.
  - Single-cable connection to DISH Pro receivers.
  - Single-cable connection to Legacy receivers<sup>2</sup>, without a DISH Pro Adapter.
  - Supports a two-cable connection to one DISH Pro Plus (dual-tuner) receiver, when not used with a DP Plus Separator.

\*Note: Legacy receivers must be connected with at least one powered DISH Pro or DISH Pro Plus receiver.

### DPP 1000 .2 LNB FEATURES, *continued*

- Includes an LNB input port for connection of a second dish to receive signal from a fourth orbital location. Connected receiver(s) receive signal from all four orbital locations<sup>2</sup>, eliminating the need for an external switch.

### TWO LNB BRACKETS AVAILABLE

- The "Integrated Adapter Bracket" is used only with the DISH 1000.2 LNB.
- The "Three-LNB Bracket" is used only with Dual and/or Single LNBs.
  - Use all DISH Pro or all Legacy LNBs with a matching switch.
  - You cannot use a Twin/Quad LNB with this bracket.
  - This is not the same as the W-Bracket used with the DISH 1000.

<sup>1</sup>DISH Pro Plus (dual-tuner) receivers include: DISH 322, DISH Player-DVR 522 & 625, DISH 721, DISH Player-DVR 921, DISH Player-DVR 942, ViP622 DVR™, future dual-tuner receivers and equivalent JVC and RCA models.

<sup>2</sup> Models 1000, 2000, 3000, 4000, 5000, JVC-DVHS and DishPlayer 7100/7200 may not detect and will not support 129°; these receivers cannot view the fourth orbital location (if connected).

### Comparison of DISH 1000.2 to DISH 1000

|   | DISH 1000.2  | DISH 1000   |
|---|--|---|
| Orbital Locations                         | 110°, 119°, 129°   | 110°, 119°, 129°  |
| # of Receivers supported without a switch | Three  | Two   |
| LNB Comparison (Standard Configuration)   | DPP 1000.2 integrated LNB (LNB In port for optional fourth orbital location) | DPP Twin with DP Dual (LNB In port on DPP Twin used for DP Dual providing 129°) |
| Height                                    | 20.7"  | 18"   |
| Width                                     | 25.9"  | 22.8"   |
| Mast                                      | Outside diameter: 1.66"<br>Slightly longer than DISH 1000                    | Outside diameter: 1.66"   |

#### INSTALLATION CONSIDERATIONS

- Mounting and installation requirements are similar to DISH 1000.
- Additional skew holes are provided on the bracket for extreme skew angles (greater than 110 or less than 70).
- DISH Pro (DP) and DISH Pro Plus (DPP) receivers can be no more than 200 feet from the furthest LNBF.
- Legacy receivers can be no more than 100 feet away from the DISH 1000.2.
- Only a DISH Pro Plus 44 Switch can be used with the DP Plus 1000.2 LNBF.
- The DP Plus 1000.2 LNBF is not compatible with Legacy LNBFs or switches.
- The DP Plus 1000.2 LNBF's default orbital locations are 119° on PORT 1, 110° on PORT 2, and 129° on PORT 3, similar to other LNBFs. Use port 1 for peaking.
- As with all DISH Pro Plus installations, cable and components between the LNBFs, switches, DP Plus Separator and receivers must be rated to at least 2150 MHz and pass DiSEqC. Refer to the DISH Network Approved Accessories List.

#### LNBF/SWITCH CONFIGURATIONS

##### *Connect a Fourth Orbital Location to the DP Plus 1000.2 LNBF:*

- The LNBF includes an input port (labeled **LNB IN**) for an additional orbital location.
- Accepts signal from a DP Single or DP Dual LNBF, or a DISH Network bandstacked LNB.
- The fourth orbital location dish must be within 80 feet of the DP Plus 1000.2 LNBF, and within 200 feet of the DP or DPP receiver.
- The LNB input is operational only when the LNBF is connected directly to satellite receivers. It is disabled when the LNBF is connected to a switch.

##### *Add Additional Receivers:*

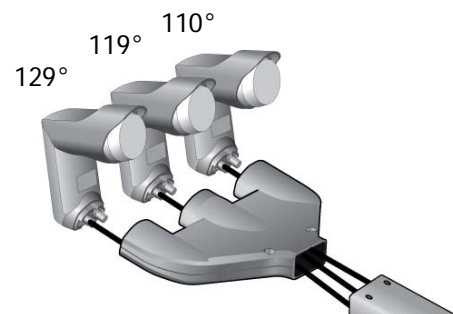
- Connect the three output ports of the DP Plus 1000.2 LNBF to a DPP44 switch for a fourth receiver. When connected to a DPP44 switch using three cables, the LNBF provides signal from 110°, 119° and 129°.

##### *Three-LNBF Bracket:*

- For installations with three Dual (or Single) LNBFs. Use any compatible switch.
- This is a new bracket that is not compatible with DISH 1000, or with Twin/Quad LNBFs.
- The center LNBF (119°) is used for peaking.

#### FOR MORE INFORMATION

- *DISH 1000.2 Installation Guide*
- *DISH 1000.2 Product Launch Bulletin*



*Three- LNBF Bracket*