



INSTRUCTION MANUAL

MIDM-806C



Demodulator

Stock No. 7740C

Description

The MIDM-806C is a professional quality single channel, agile audio/video demodulator. It provides an A/V output from any VHF, UHF or CATV channel (54-806 MHz) and is designed for use in the Blonder Tongue Modular Headend System. The MIDM-806C demodulator and the MICM/AMCM modulator can be paired to perform off-air channel processing or to cherry pick cable channels.

Specifications

RF

Input Frequency Range:
54 - 806 MHz (Broadcast Ch's. 2-69, Cable
Ch's 2-125) VHF, UHF, CATV (STD, IRC, HRC)
Input Level Range:
Antenna Mode: -5 to +30 dBmV
CATV Mode: +2 to +12 dBmV with 70 Channel Input
Input Impedance: 75 Ohm

Video

Video Output Level: 1 Vpp Adj.
Video Output Impedance: 75 Ohm
Video S/N Ratio 4 MHz BW:
>=44 dB (CATV Mode, 70 Ch. Input 2-12 dBmV, Measured
Channel -3 dB)
Video Response 0.2 to 4 MHz: ± 2 dB Relative to 0.2 MHz
Differential Gain: 5% Typical
Differential Phase: 5 Deg. Typical
Chrominance to Luminance Delay: -40 ns Typical
Chrominance to Luminance Gain: 90% Typical
K Factor: $\leq 5\%$
Short Time Distortion: $\leq 5\%$

Audio

Audio Output Level: 1 Vpp Adj.
Audio Impedance: 600 Ohm Unbalanced

Electrical

Power Requirements
12 VDC: 140 mA
5 VDC: 150 mA
2.5 Watts

Mechanical

Dimensions: 1.15 x 3.5 x 7.5 in.
Weight: 13.5 oz.
Temperature Range: 0° to 50° C

Connectors (Rear)

RF Input: "F" Type Female
Video Output: "F" Type Female
Audio Output: RCA Phono Female
Power: Locking Header 3 Pin

Controls (Front)

Channel Selection: UP/DOWN Push Button
Power Lock: Push Button
C/ANT Mode: Push Button
Video Level: Control
Audio Level: Control

Indicators

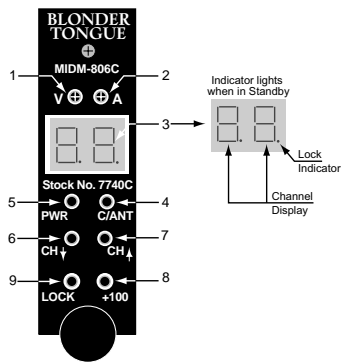
Channel/Mode: 2 Digit, 7 Segment RED LED Display
+ 100 Channel: RED LED

651191400C

Operating Controls & Indicators

Front Panel

All operating controls are located on, or are accessible from the front panel.



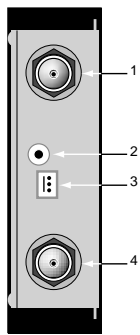
1. **Video** - Adjusts video output level
2. **Audio** - Adjusts audio output level
3. **Channel LED** - Displays ANT or CATV channel
4. **C/ANT Mode Button** - Press button to enter the mode selection menu. Use the channel UP/DOWN buttons to select the type of channel system required as follows:
5. **Power** - ON/OFF push button
6. **Channel DOWN** - Increments channel by -1
7. **Channel UP** - Increments channel by +1
8. **+100 LED** - When depressed, RED LED lights to indicate channels 100 and higher.
9. **Lock** - Depressing lock button locks present channel or mode in memory preventing inadvertent change. A user must depress the lock channel button again for any channel/mode changes.

Display	Channel System
5	STD (CATV)
H	HRC (CATV)
I	IRC (CATV)
U	Broadcast (ATV)

Press C/ANT button again when selection is completed.

Rear Panel

All the connectors are located the rear panel.



1. **Video Output** - Standard negative sync video at a 0.5 to 1.5 Vp-p level.
2. **Audio Output** - Adjustable 0.5 to 1.5 Vp-p
3. **Power** - The polarized power connector accepts +12 VDC, +5 VDC and ground
4. **ANT/CATV** - RF input from antenna or CATV drop

Operating Procedure

Connect the power input connector to the power supply. A LED bar lights to indicate the unit is in standby.

Connect the video/audio connectors and the RF input to the system.

Press PWR. The LED display will show the number of the latest channel selected.

Press C/ANT to enter the mode selection menu. Use the channel UP/DOWN button to select the type of channel system required. Press C/ANT again when selection is completed.

Use CH ▲ CH ▼ to select the channel required.

A channel number higher than CH 99 is represented by the +100 indicator and the number shown on the LED display. The +100 indicator represents the one hundred digit of the channel number.

Example: CH120 is displayed as 20 and the +100 indicator.

Adjust for proper video output level by tuning the video potentiometer.

Adjust for proper audio output level by tuning the audio potentiometer.

Press LOCK to lock-in the panel controls to prevent inadvertent channel or mode changes.

The LOCK indicator is lit when unit is in the LOCK mode.



**BLONDER
TONGUE**
LABORATORIES, INC.

One Jake Brown Road
Old Bridge, NJ 08857-1000 USA
(800) 523-6049 • (732) 679-4000 • FAX: (732) 679-4353
www.blondertongue.com