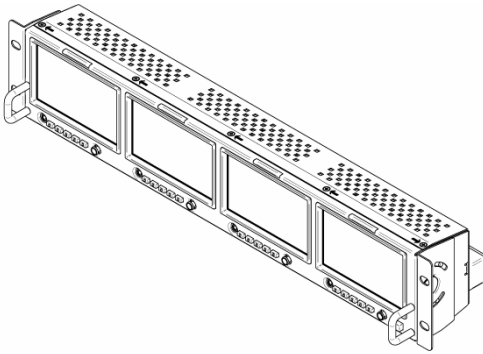


# Marshall Electronics OR-434

**toner**  
cable equipment, inc.  
www.tonercable.com

## Quad 4.3" Fully Featured Rack Mount Monitor System



- Real-Time Waveform Monitor
- Real-Time Color Vectorscope
- Sixteen 64-segment Tri-color Audio Meters
- Tri-Color Tally Indicator
- On-Screen Time Code
- 7 assignable GPI inputs
- Adjustable Color Temperature
- Optional Input Modules
- Auto-Sensing Front Panel Headphone Jack
- Auto-Sensing Rear Unbalanced Stereo Output
- Adjustable Clipping Indicator
- Precision Gamma Settings
- Adjustable Color Temperature
- Variety of Safety Markers
- HD-SDI / SDI Inputs and Outputs
- Automatic Color Calibration with ORCHID Color Probe

The **OR-434** Quad 4.3" ORCHID® rack mount monitor has all the features that customers have asked for and more. The OR-434 is only 2RU and has 5 user-assignable function keys with a joystick menu system.

The built-in waveform monitor (which includes adjustable White and Black clip level indicators) can be displayed in three different aspect ratios including Full Screen.

The built-in Vectorscope displays in full color and can also be displayed in three different ratios. The Vectorscope has adjustable gain from 1x to 5x.

All screens are color matched at the factory and can be auto-adjusted in the field using an optional color probe system.

The OR-434 will de-embed and display up to 16 channels of audio and allow the user to monitor any two channels at once through the headphone jack or rear line output jack. The 64-segment tri-color bar graph meters have user-adjustable reference levels. The OR-434 comes standard with auto-sensing HD-SDI inputs, re-clocked outputs, and an open modular slot for additional inputs in the future.



## Quad 4.3" Fully Featured Rack Mount Monitor System Specifications

<b>Panel</b>	Number of Panels	4
	Panel Size	4.3" Diagonal
	Resolution	800 x 480
	Aspect Ratio	16:10
	Active Area	93.0 x 55.8 mm
	Type	LCD Panel
	Brightness	200 cd/m2
	Contrast	400:1
	Color Gamut	YUV, RGB
	Viewing Angles (CR>=10)	-65°~+65°
	Backlight type	LED
<b>Features</b>	Video Formats	1080p/1080i/720p/625i/525i
	Loss of Input Curtain	Yes
	Color Temperature	D65,93
	Blue Only	Yes
	Scan Zoom	Yes
	Waveform	Yes
	Vectorscope	Yes
	Self-Sensing	Yes
	Re-clocked/Re-Shaped	Yes
<b>Input Connectors</b>	SD-SDI	Yes
	HD-SDI	Yes
<b>Output Connectors</b>	SD-SDI	Yes
	HD-SDI	Yes
<b>Audio</b>	Audio Meters	Yes
	Headphone Jack	Yes
	Embedded audio from SDI	Yes
<b>Control Inputs</b>	Input Status Display	Yes
	Tally / GPI	Tally
	RS-485/422 w/ Loop Through	No
	Ethernet	No
	Controls on front Panel	Yes
	User-Defined Function Buttons	Yes
	RotoMenu™ Control	Yes
	Pivot Angle	Yes
<b>Power</b>	Handles/Rack Ears	Yes
	Voltage	12VDC
	Consumption	4 Amp (Max) @ 12VDC
	Power Switch	Yes
<b>Compliance</b>	Connector	4-Pin XLR Connector
	Compliance	CE approved
<b>Environmental</b>	Operating Temperature (C°)	32° F to 104° F
	Storage Temperature (C°)	-4° F to 104° F
	Rack Unit dimensions	18.9" x 3.46" x 3.54
	Weight (Main Body)	5.29 lbs