

OTR-302

Bi-Directional HD-SDI Over 1 Fiber

OTR-302



Features

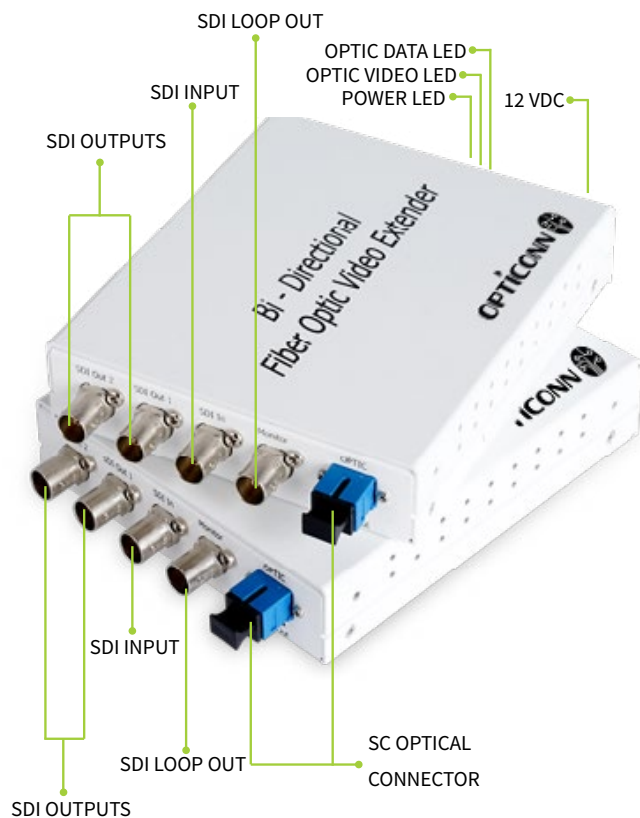
- HD-SDI long distance extension
- Resolution support for 1080i60 broadcast
- Data rate from 270 Mbps up to 1.485 Gbps
- MM or SM operation
- Up to 100Km on one SM fiber
- One SC optical connection needed
- SMPTE 292M, 259M & ASI compliant
- Error free transmission of pathological test patterns
- Compact design

The OTR-302 is a compact, cost effective fiber optic extender pair capable of extending bi-directional HD-SDI over fiber. Extend signals from 270 Mbps up to 1.485 Gbps up to 100 Km on a single SM fiber. Meets SMPTE SDI standards maintaining error free transmission of SMPTE 292M, 259M and ASI over the entire 100 Km distance. The OTR-302 provides error free transmission with RP-198 pathological patterns. Additionally, there is a loopout of the local input and 2 duplicate copy outputs of the remote side of the link. The units are built with a stand-alone compact enclosure making it the perfect solution for OB trucks, remote broadcast, mounting by remote security cameras or any other applications that might need a "throw down", wall mount or shelf mounted fiber link. The OTR-302 has an extended temperature range making it a good solution for mounting in NEMA enclosures.

OTR-302 Bi-Directional HD-SDI Over 1 Fiber

Models

Model	Description
OTR-302	Fiber optic extender link (tx & rx), Resolution support for bi-directional 1080i60 broadcast transmission, Data rate from 270 Mbps up to 1.485 Gbps, Meets SMPTE 292M, 259M and ASI, 12 VDC@1.5A power supply included, Compact stand-alone enclosure



Specifications

Video Specifications	
SMPTE Compliance	292M, 259M & DVB-ASI
Data Rate	270 Mbps up to 1.485 Gbps
Resolution Support	Up to 1080i60
Pathological Test	RP-198 (immune)
Input/output Impedance	75 Ohm BNC
Optical Specifications	
Distance	Up to 100 Km
Wavelength (Tx)	1490nm/1550nm
Optical Output Power (Tx)	-3 to +3 dBm
Wavelength (Rx)	1490nm/1550nm
Optical Input Power (Rx)	-5 dBm max -30 dBm min
Fiber Type	SM
Fiber Connector	SC
Mechanical Specification	
Enclosure type	Stand-alone
Dimensions (L x W x H)	5.2" x 4.6" x 1"
Weight	7.4 oz
Mounting	Flange-mount
Power Specifications	
Power Supply	12 VDC@1.5A
Power Consumption	3 Watts (max)
Environmental Specifications	
Operating Temperature	-20 to +75 C
Relative Humidity	0 to 90%, non-condensing
Storage Temperature	-20 to +85 C