



PD102R HD IP Encoder



Description

The PD102R HD encoder is an all-one device that integrates encoding (MPEG-2, MPEG-4/AVC H.264) and modulation functions to convert HDMI/YPbPr/CVBS signals to IP and ASI.

To meet customers' various requirements, the PD102R is also equipped with one ASI input, and outputs with two ASI ports and one IP port.

Signal sources may include satellite receivers, closed-circuit television cameras, Blu-ray players, and antennas, among others. The PD102R output may be received by TVs or set-top boxes.

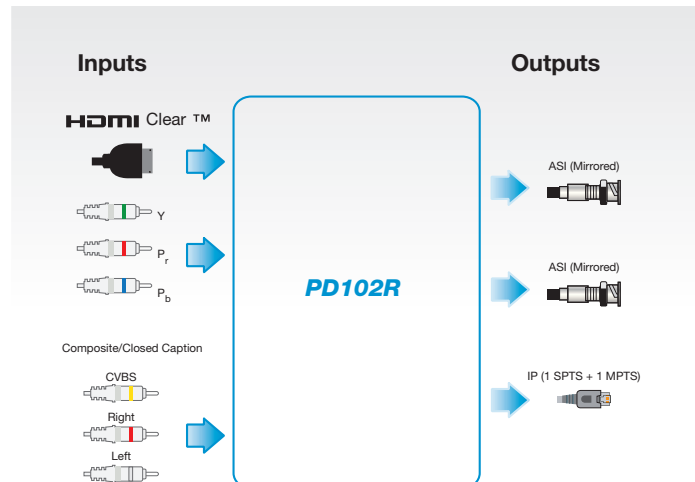
Applications for the PD102R include digital signage in public transportation, retail, entertainment, hospitality, and dining establishments as well as monitoring, training, and education in enterprise, campus, and healthcare environments.

Features

- MPEG-2 HD and MPEG-4 AVC H.264 HD video encoding
- DD AC3 (2.0), MPEG-4-AAC, MPEG-2-AAC, and MPEG-1 Layer II audio encoding
- Supports DD AC3 (5.1 passthrough for HDMI interface only)
- 1 HDMI/YPbPr/CVBS (Pr in) channel input
- 1 ASI input for re-mux
- Support CC (Closed Caption), (from CVBS source only)
- Supports low delay
- LCN (logical channel number) support
- VCT (virtual channel table) support—for DVB-C and ATSC
- Excellent modulation quality
- LCD display, remote control and firmware
- Secure management and configuration via an easy-to-use Web browser



Diagram



PD102R

HD IP Encoder

Specification

Encoding

Video (HDMI)

Encoding	MPEG-2 & MPEG-4 AVC/H.264
Interface	HDMI*1
Resolution	1920*1080_60P, 1920*1080_50P, (for MPEG-4 AVC/H.264 only), 1920*1080_50i, 1280*720_60p, 1280*720_50P
Low Delay	Normal, Mode 1, Mode 2
Aspect Ratio	4:3; 16:9
Bit Rate	1~ 19.5 Mbps

Audio (HDMI)

Encoding	MPEG-1 Layer II; MPEG-2-AAC; MPEG-4-AAC; DD AC3 2.0 (5.1 passthrough)
Interface	HDMI*4 /SPDIF*4
Sample Rate	48 kHz
Bit Rate	64 / 96 /128 / 192 / 256 / 320 kbps

Video (CVBS/YPbPr)

Encoding	MPEG-2; MPEG-4 AVC/H.264
Interface	CVBS/YPbPr*4 (RCA)
Resolution	CVBS: 720*576_50i, 720*480_60i YPbPr: 1920*1080_60i, 1920*1080_50i; 1280*720_60p, 1280*720_50P

Audio(L/R)

Encoding	MPEG-1 Layer II; MPEG-2-AAC; MPEG-4-AAC; DD AC3(2.0) Optional
Interface	4* stereo / 8* mono / 4* SPDIF
Sample Rate	48 kHz
Bit Rate	64 / 96 / 128 / 192 / 256 / 320 kbps

System

Local Interface	LCD + control buttons
Remote Management	Web NMS
Stream Out	2 ASI mirrored out (BNC type, 100M); IP (1 SPTS + 1 MPTS) over UDP, RTP/RTSP out, RJ45, 100M (MPTS is available for DVB-C/ATSC out versions)
ASI Bandwidth	200 mb (Max.)
NMS Interface	RJ45, 100M
Language	English

General

Power Supply	AC 100 V ~ 240 V
Dimensions	19" (L) x 16" (D) x 1.75" (H)
Weight	9 lb
Operation Temperature	0 ~ 45°C

Ordering Information

PD102R HD IP Encoder