

## INSTALLATION INSTRUCTIONS

SNS59 SNS59HEC SNS59HECID SNS59QS SNS6 SNS6QS SNS6PLA  
Snap-N-Seal® "F" Male, Environmentally Sealed Connectors

1. Slide connector assembly over cable (see Figure 1).

(When using Messengered/Siamese cable: Rib must be removed flush with cable jacket before connector installation, this will insure proper installation and sealing).

2. Prepare cable using LRC #CST596 or #IT1000 tool as follows:

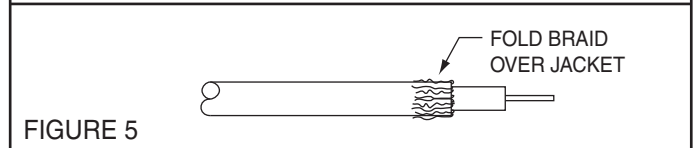
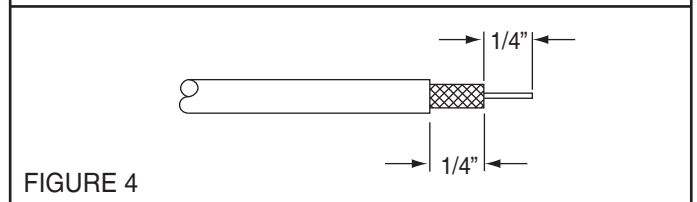
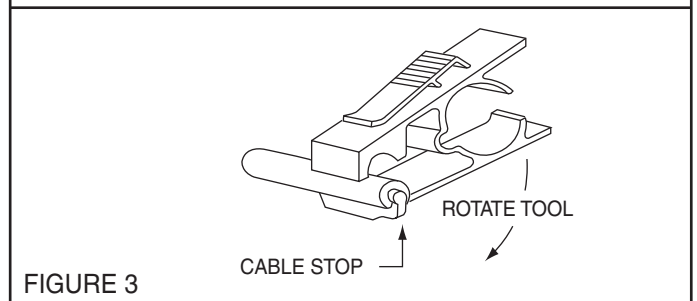
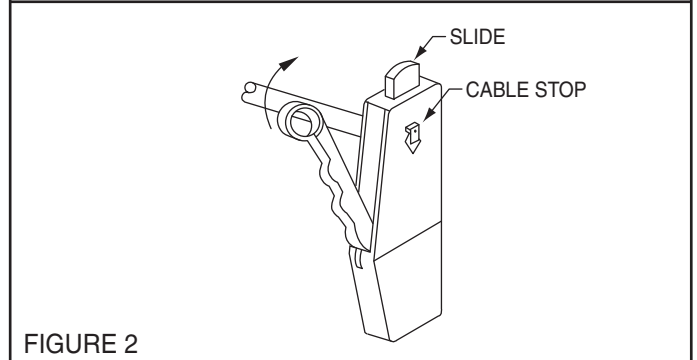
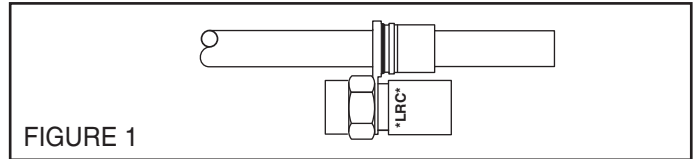
Cut the cable end off square before starting the cable preparation.

**(A) IT1000 tool:** depress slide, then insert the cable up to cable stop. Grip cable close to tool and rotate tool approx. 1 to 3 full turns or until tool moves freely. Pull tool off cable, removing jacket and dielectric from center conductor (see Figure 2).

**(B) CST596 tool:** open tool by squeezing the handles, then insert the cable up to the cable stop. Grip cable close to tool and rotate tool approx. 8 to 12 full turns or until tool moves freely. Pull tool off cable, removing jacket and dielectric from center conductor (see Figure 3).

3. Cable end should be prepared as shown (see Figure 4).
4. If using single braid cables, fold the braid over the jacket (see Figure 5).

If using double braid cables, fold the outer braid over the jacket. Score and remove foil (if applicable). Fold the inner braid over the jacket (see Figure 5).



**WARRANTY:** Thomas & Betts sells this product with the understanding that the user will perform all necessary tests to determine the suitability of this product for the user's intended application. Thomas & Betts warrants that this product will be free from defects in materials and workmanship for a period of ninety (90) days following the date of purchase. Upon prompt notification of any warranted defect, Thomas & Betts will, at its option, repair or replace the defective product or refund the purchase price. Proof of purchase is required. Misuse or unauthorized modification of the product voids all warranties.

**Limitations and Exclusions:** THE ABOVE WARRANTY IS THE SOLE WARRANTY CONCERNING THIS PRODUCT, AND IS IN LIEU OF ALL OTHER WARRANTIES EXPRESS OR IMPLIED, INCLUDING BUT NOT LIMITED TO ANY IMPLIED WARRANTY OF MERCHANTABILITY OR FITNESS FOR A PARTICULAR PURPOSE, WHICH ARE SPECIFICALLY DISCLAIMED. LIABILITY FOR BREACH OF THE ABOVE WARRANTY IS LIMITED TO COST OF REPAIR OR REPLACEMENT OF THE PRODUCT, AND UNDER NO CIRCUMSTANCES WILL THOMAS & BETTS BE LIABLE FOR ANY INDIRECT, SPECIAL, INCIDENTAL OR CONSEQUENTIAL DAMAGES.

- Twist connector to remove from plastic sleeve as shown in Figure 6 (plastic ring may stay attached between connector collar and nut).

Place connector over cable end until cable dielectric is flush with end of post. Push plastic sleeve into connector (see Figure 7).

- Finish the connector to cable installation using LRC #SNSUTL or #IT1000 installation tool.

**(A) Using IT1000 tool:** place connector assembly inside tool as shown. Squeeze handle until the plastic sleeve snaps into the connector (see Figure 8).

The plastic sleeve is in proper position when the connector is compressed to the indicator line scribed on the tool. A white indicator will also be visible through the tool "sight hole" (see Figure 8).

**(B) Using SNSUTL tool:** align top of tool with the connector "U Groove", and push the connector and cable into the tool as shown. The cable should be held in place by the bottom of the tool, and the plastic sleeve should be seated into the "Clip Pocket" (see Figure 9).

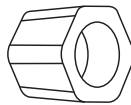
Squeeze the handles together until the plastic sleeve snaps into place.

Seal the connector to the port using SNS Nut Seal or Thread Protectors:

**(C) Nut Seal:** Thread nut seal all the way onto the F port with the o-ring facing out (minimum port length of .281 is required). Thread connector onto the port. Wrench tighten connector 25 to 30 in. lbs. torque. When connector is tight, screw the nut seal back against the connector. Tighten nut seal 25 to 30 in. lbs (see Figure 10).



**(D) Thread Protector:** Using the TP Chart, determine which thread protector should be used for your port length.



### TP CHART

| LRC Part # | Min. Port Length | Max. Port Length | Fig # |
|------------|------------------|------------------|-------|
| TP275      | .275             | .335             | 11    |
| TP450      | .450             | .510             | 12    |

Push the larger diameter end, (see Fig. 11 or 12), over the F interface until seated against the interface surface, (see Figure. 13).

- Thread SNS connector onto the port and wrench tighten 2 to 3 ft. lbs. The end of the F connector nut should push against the end of the thread protector to ensure proper sealing (see Figure 13).

### Color Code Chart

| Part Number | Sleeve or O-Ring Color | Part Number | Sleeve or O-Ring Color |
|-------------|------------------------|-------------|------------------------|
| SNS59       | Orange                 | SNS59Z      | Orange                 |
| SNS59QS     | Green                  | SNS59QSZ    | Green                  |
| SNS59HEC    | White                  | SNS59HECZ   | White                  |
| SNS6        | Blue                   | SNS6Z       | Blue                   |
| SNS6QS      | Violet                 | SNS6QSZ     | Violet                 |
| SNS6PLA     | Orange                 | SNS6NSZ     | Orange                 |

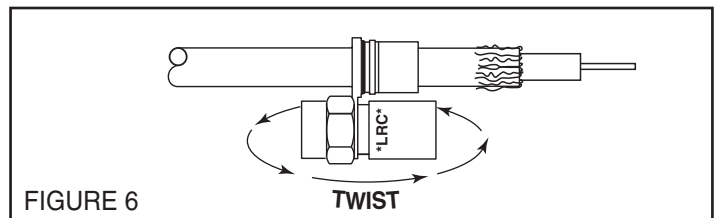


FIGURE 6

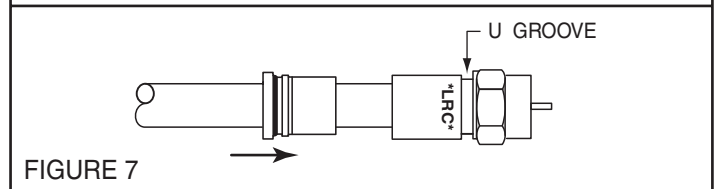


FIGURE 7

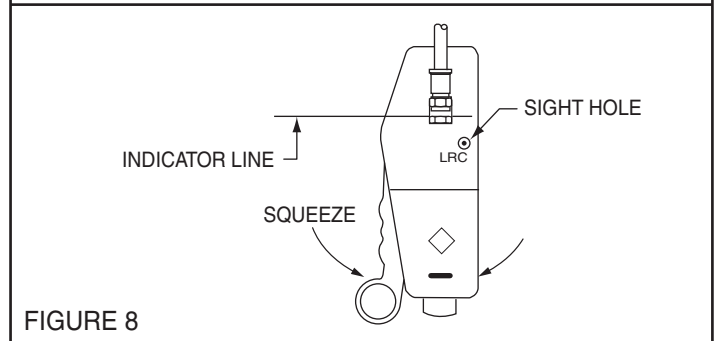


FIGURE 8

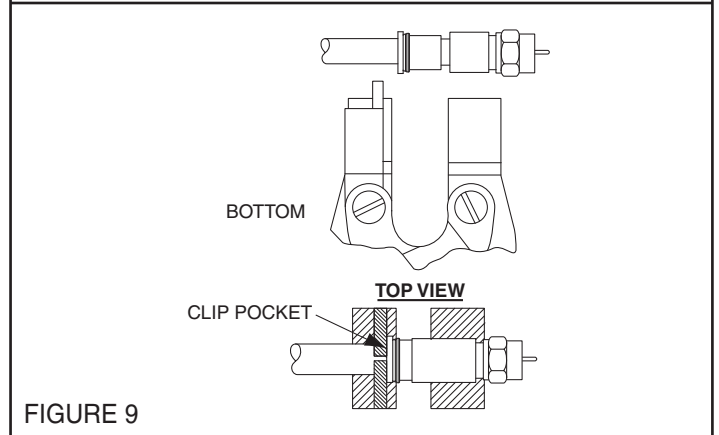


FIGURE 9

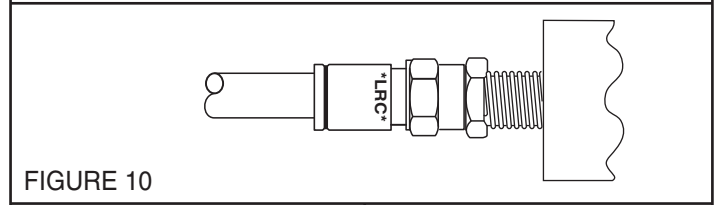


FIGURE 10

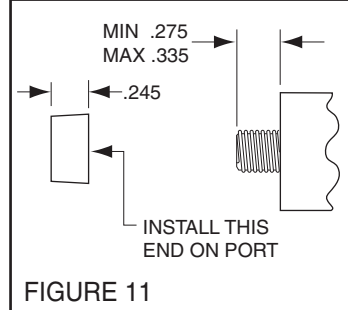


FIGURE 11

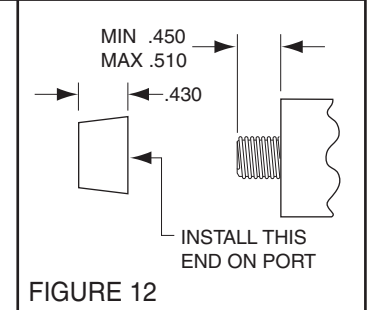


FIGURE 12

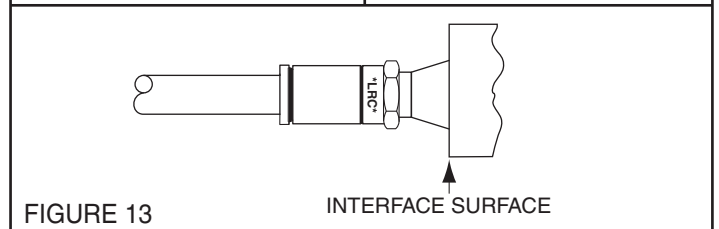


FIGURE 13