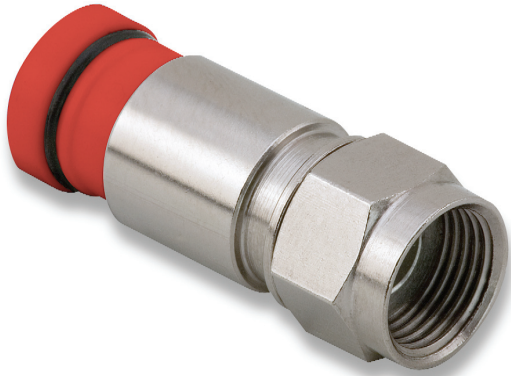


Thomas & Betts

ULTIMATE SNAP-N-SEAL®
"F" Series Compression Connector



PHYSICAL PROPERTIES

- Nut, Post and Collar: Brass
- Nut and Collar Finish: Nickel Tin
- Post Finish: Tin Plated
- O-Rings: Ethylene Propylene

ELECTRICAL PROPERTIES

- Return Loss: \geq -30 dB up to 1GHz Typical
- Insertion Loss: \leq -0.18 dB up to 1GHz Typical
- RFI Shielding: -90 dB Typical (60% Bonded Foil)

MECHANICAL PROPERTIES

- Cable Retention: 40 lbs min.
Complies to SCTE IPS-SP-401
- Cable Insertion Force: <20 lbs Typical

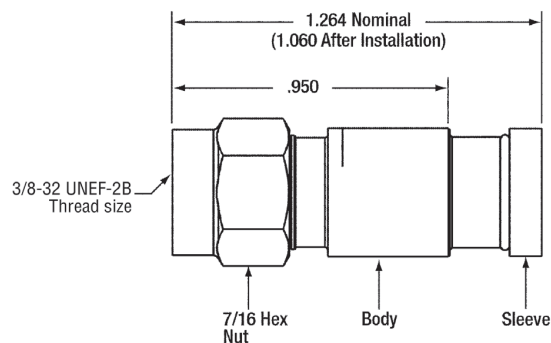
ENVIRONMENTAL PROPERTIES

- Temperature Rating: -40°F (-40°C) to 140°F (60°C)
- Moisture Migration: Passes ANSI/SCTE 60 2004

Thomas & Betts introduces the Ultimate™ Snap-N-Seal® Compression Connector. One connector for 6 Series SCTE specification drop cables including 60% braid, tri-shield and quad shield.

Look for the classic design of this Thomas & Betts connector. With its user-friendly, pre-positioned and detachably coupled plastic sleeve, the Ultimate™ Snap-N-Seal® Connector incorporates time-proven advantages for a reliable connection.

- To reduce assembly time and simplify installation, the plastic sleeve is pre-positioned and detachably coupled to the connector body.
- The plastic sleeve's separability from the connector body further simplifies difficult installations.
- True 360° compression onto cable ensures superior RF shielding performance, -90 dB effective shielding (typical on 60% bonded foil cable).
- Installation requires one-step 1/4" - 1/4" cable preparation and standard compression tools used for all 59 & 6 Series Snap-N-Seal® product families.
- Quad-sealed system prevents moisture migration.
- Incorporates a NiTin finish plus UV resistant plastic and O-rings to provide a reliable, environmentally sealed product.
- Cable retention exceeds 40 lb. minimum as specified by the SCTE.



ORDERING INFORMATION

CATALOG NUMBER	POST I.D.	SLEEVE I.D.	SLEEVE COLOR	TOOL†	INNER PACK	OUTER PACK
"F" SERIES COMPRESSION CONNECTOR						
SNS1P6U	.191	.293	Red	1+2 or 3	50	1000

†Tool: 1 = CST596 or CST596711 2 = SNSUTL 3 = IT1000