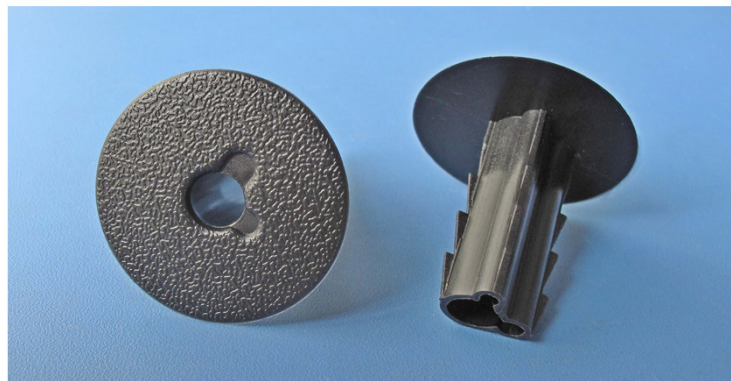
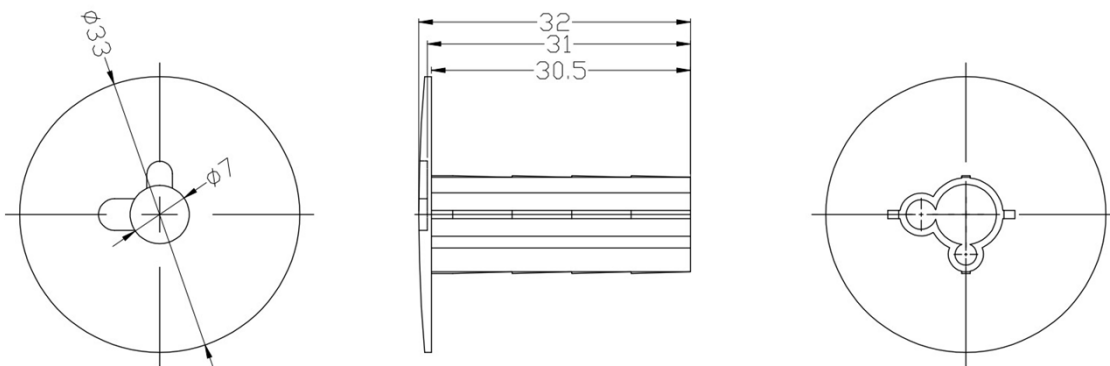


FTB-6S Feed Thru Bushing



Part No.	FTB-6S
Material	Polypropylene

; FB-%/ ; F 6!& ; fci bX'6`cWg



GRB-1



GRB-2



GRB-1RB

- 5 Mhz to 3 GHz Ground Blocks
- Nickel Plated Zinc
- 75 Ohm F Female Connectors 3/8-32 UNEF
- Return Loss \geq 25 dB
- Shielding \geq 130 dB
- Hex / Straight / Phillips Nickel Plated Ground Screw
- Ground Wire Size, #6 to #16 AWG (1.29 to 4.11 mm)
- Two #8 x 3/4" Nickel Plated Wood Screws

Models

- GRB-1** Single Ground Block
GRB-2 Dual Ground Block
GRB-1RB Single Ground Block with Rubber Weather Boot Seal
(Boots Installed)