

G2 2-Piece Series Trunk & Distribution Connectors

Introducing the new Toner Cable line of T2 Series 2-Piece Coaxial Hardline Connectors. These aluminum connectors meet industry standards at an affordable price for 75 Ω coaxial CATV distribution cable. These connectors are for both Times Fiber T10 series .500 cable and CommScope P3 series .500 cable, as well as many other that meet the same specifications.

Common Specifications

Bandwidth: 5 MHz to 1250 MHz

Impedance: 75 Ω

Return Loss: 30 dB

Shielding: 120 dB

Insertion Loss: < 0.2 dB

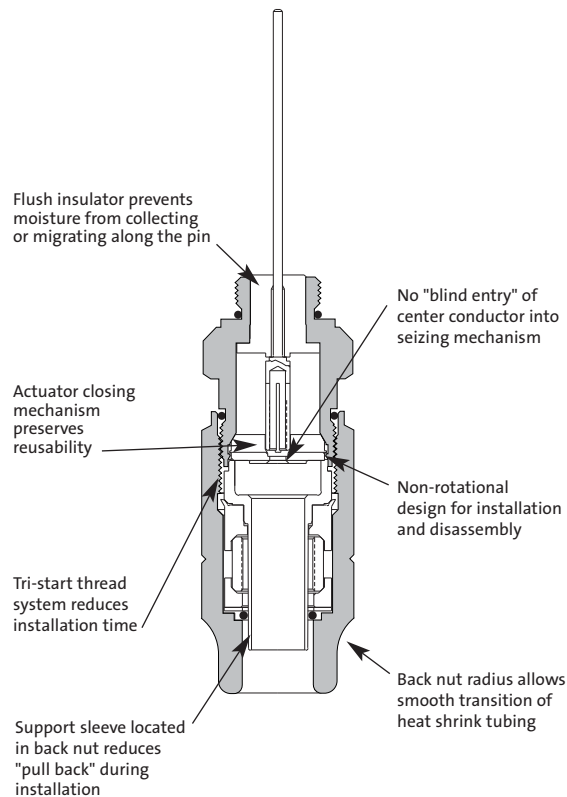
Thread: 5/8

Aluminum: -24 UNEF

Finish: Chromatic Acid Anodizing

Pin Length: 2.25"

O Ring: Silicone Rubber



T2-500-CH-P3

Pin Type Connector for .500 Coax Cables



T2-F-625-CH-T

Male Pin Type to F-Female Adapter



T2-CH-BAFF

Pin Type to F-Female Adapter



T2-500-SP-P3

Splice Type Connector for .500 Coax Cables



T2-CH-KS-KS-M

CH Port Housing to Housing Adapter



T2-CH-TRM

CH Port Terminator

