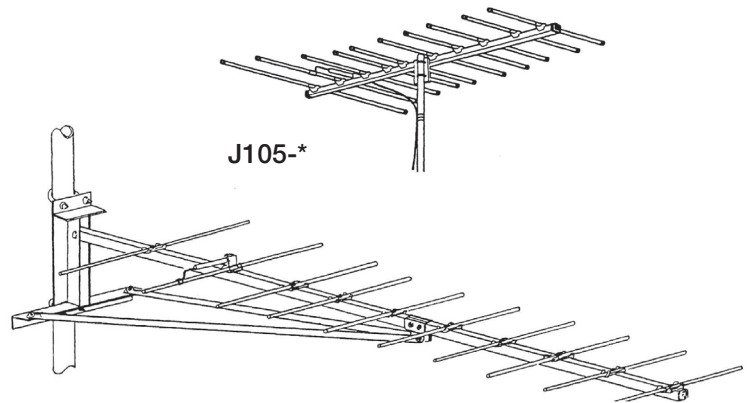


Features

- Extra heavy-duty construction
- Seamless end-sealed chrome aluminum tubing prevents moisture penetration
- Anti-corrosion ensures maintenance free, weather resistant installation
- Stack vertically or horizontally for increased gain and directivity
- 125 mph wind velocity survival rating
- Cantilever mount available for all models



WADE Cantilever Mount

ELECTRICAL SPECIFICATIONS	
	Cut-Channel
MODEL	J105-*
NO. ELEMENTS	10
CHANNEL*	7 to 13*
GAIN	12.5 dBi
IMPEDANCE	75 Ohm
VSWR	1.5:1
FR:BK RATIO	20 dB
POLARIZATION	Horiz.
H. BEAM WIDTH	44 deg.
V. BEAM WIDTH	59 deg.
CONNECTOR	"F" Connector
CENTRE MOUNT	Standard
CANTILEVER MOUNT	Optional
PIPE SIZE **	Up to 2.0" O.D.

The J-105 Series Highband antennas are single channel 10 element Yagi's designed for rugged installation on towers and other structures where their extra heavy duty construction will ensure a long operational life.

J-Series system antennas are specifically designed for commercial and industrial master antenna installations. Their heavy-duty construction ensures reliability under severe climatic conditions, providing a durable, trouble-free operation. Available in cut-to-channel yagi models. Our single channel antennas feature sharp directivity for high gain, and excellent front-to-back ratios. All antennas are available with the exclusive Wade Cantilever Mount. Our J Series antennas are the answer to any system where high reliability or long life is a must.

MECHANICAL SPECIFICATIONS					
MODEL	LENGTH (IN.)	WIDTH (IN.)	WEIGHT (LBS)	THRUST (FT-Lbs)	
				NO ICE	1/4" ICE
J105-7	98	33.5	16	35	55
J105-8	98	32.5	16	33.5	52.5
J105-9	98	31.5	15	31.5	50
J105-10	91	30.5	15	30	48.5
J105-11	91	30	15	28.5	46.3
J105-12	85	28.5	15	27.5	44
J105-13	82	27	15	26	42