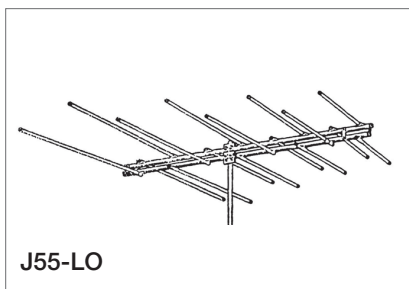
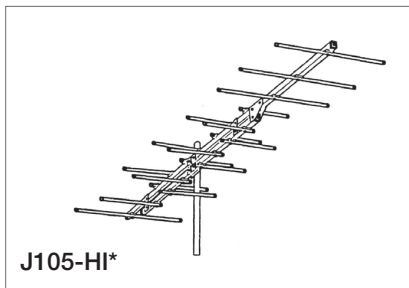
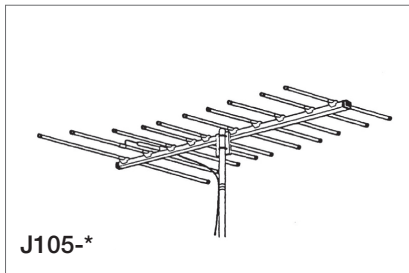
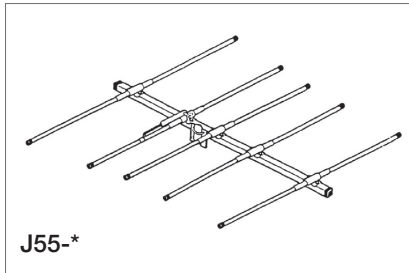


# J-Series

## YAGI and LOG Periodic Antenna



## Product Features

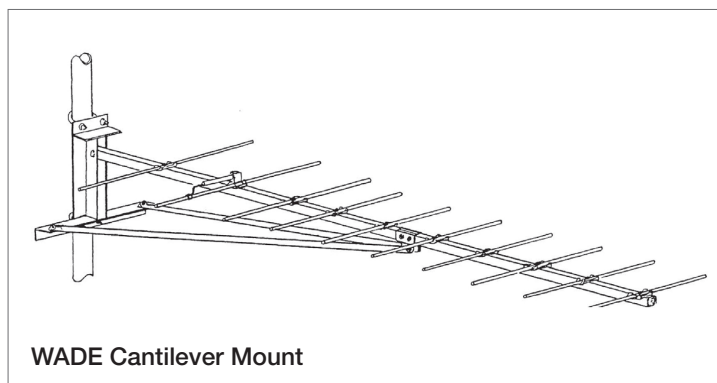
*J55-\*(Single Channel), J105-\*(Single Channel), J55-LO (Log Periodic), J105-HI (Log Periodic)*

### Description

J-Series system antennas are specifically designed for commercial and industrial master antenna installations. Their heavy-duty construction ensures reliability under severe climatic conditions, providing a durable, trouble-free operation. Available in both cut-to-channel yagi and broadband models. Our single channel antennas feature sharp directivity for high gain, and excellent front-to-back ratios. Broadband models are of true log periodic design assuring extremely flat response and matched output over the entire band. All antennas are available with the exclusive Wade Cantilever Mount. Our J Series antennas are the answer to any system where high reliability or long life is a must.

### Features

- Extra heavy-duty construction
- Seamless end-sealed chrome aluminum tubing prevents moisture penetration
- Anti-corrosion ensures maintenance free, weather resistant installation
- Stack vertically or horizontally for increased gain and directivity
- 125 mph wind velocity survival rating
- Cantilever mount available for all models



\*\* See reverse for Electrical and Mechanical Specifications\*\*

**YAGI and LOG Periodic Antenna**

**ELECTRICAL SPECIFICATIONS**

MODEL	Cut Channel		Broadband	
	J55-*	J105-*	J55-LO	J105-HI
NO. ELEMENTS	5	10	5	10
CHANNEL*	2 to FM*	7 to 13*	2 Thru FM	7 Thru 13
GAIN	10 dBi	12.5 dBi	10 dBi	10.5 dBi
IMPEDANCE	75 Ohm	75 Ohm	75 Ohm	75 Ohm
VSWR	1.5:1	1.5:1	1.5:1	1.5:1
FR:BK RATIO	18 dB	20 dB	22 dB	22 dB
POLARIZATION	Horiz.	Horiz.	Horiz.	Horiz.
H. BEAM WIDTH	60 deg.	44 deg.	60 deg.	49 deg.
V. BEAM WIDTH	100 deg.	59 deg.	100 deg.	75 deg.
CONNECTOR	"F" Connector	"F" Connector	"F" Connector	"F" Connector
CENTRE MOUNT	Standard	Standard	Standard	Standard
CANTILEVER MOUNT	Optional	Optional	Optional	Optional
PIPE SIZE **	Up to 2.0" O.D.	Up to 2.0" O.D.	Up to 2.0" O.D.	Up to 2.0" O.D.

\* Specify Channel

\*\* Larger sizes available on request

**MECHANICAL SPECIFICATIONS**

MODEL	LENGTH (IN.)	WIDTH (IN.)	WEIGHT (LBS)	THRUST (FT-Lbs)	
				NO ICE	1/4" ICE
J55-LO	94	54	24	69	109
J105-HI	104	33	19	55	77
J55-2	102	110	18	52	80
J55-3	89	100.5	18	46	72
J55-4	88	89	17	40	66
J55-5	80	77	16	36	60
J55-6	71	70	16	32	54
J55-FM	79	65	16	32	54
J105-7	98	33.5	16	35	55
J105-8	98	32.5	16	33.5	52.5
J105-9	98	31.5	15	31.5	50
J105-10	91	30.5	15	30	48.5
J105-11	91	30	15	28.5	46.3
J105-12	85	28.5	15	27.5	44
J105-13	82	27	15	26	42

\* Length of longest element

\*\* Wind speed 100mph