

WiBa Series Fiber Optic Links

Applications

- TVRO
- Broadcast
- Earth Stations
- Headends
- VSAT
- GPS
- Wireless



Features

- 10 MHz - 2700 MHz
- 50Ω and 75Ω Versions
- 1310 nm
- 8 Transmitters per Chassis
- 16 Receivers per Chassis
- Small OEM Package Option

WiBa Series Fiber Optic Links with Cooled Laser

The Ortel Wide Bandwidth (WiBa) fiber-optic inter-facility links (IFL) are a high-performance, cost-effective alternative to coaxial cable for 5 MHz to 2700 MHz communication applications.

Ortel's fiber-optic IFL's function as a transparent link in satellite broadcast and television applications. These IFL's overcome the limitations of copper systems by enabling longer transmission distance while retaining the highest level of signal quality.

In addition, Ortel's fiber optics provides several other significant network advantages, including simplified network design, ease of installation, and immunity from EMI/RFI and lighting. They fit in Ortel's widely used System 10000 chassis.

Parameter	Units		
	1301 Standard Output	1305 High Output	
Wavelength	1310 ± 10	1310 ± 10	nm
Optical Output	2	9	dBm
Link Gain @ 1 dB Optical Loss, 1 GHz			
Un-amplified TX	>-12	-	dB
Amplified TX (Max Gain)	>15	-	dB
Link Gain @ 8 dB Optical Loss, 1 GHz			
Un-amplified TX	-	>-12	dB
Amplified TX (Max Gain)	-	>15	dB
Optical Distance	0 to 20	0 to 40	Km
Temperature Range	0	--	50 °C
Frequency Range			
75Ω	5 to 2500	5 to 2500	MHz
50Ω	5 to 2700	5 to 2700	MHz

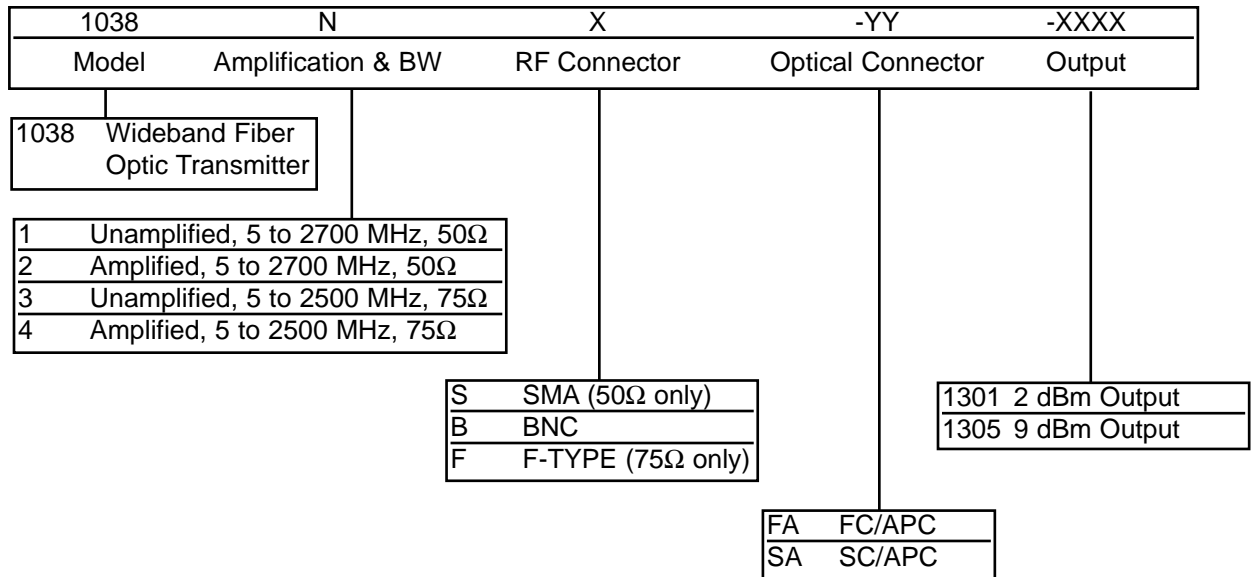
ORDERING INFORMATION

Accessories

Part Number/Model	Description	Capacity
10990A	3U 19" Rack Mount Chassis	Up to 16 RX or 8 TX's
10901A	3U Plug-in Power Supply (90-260 VAC input)	
10901B	3U Auxiliary Plug-in Power Supply (90-260 VAC Input)	
10209A	75Ω BNC 1:1 Redundancy Switch	5 MHz to 2500 MHz
10209C	75Ω Type "F" 1:1 Redundancy Switch	5 MHz to 2500 MHz
10209E-C01	50Ω SMA 1:1 Redundancy Switch	5 MHz to 2700 MHz

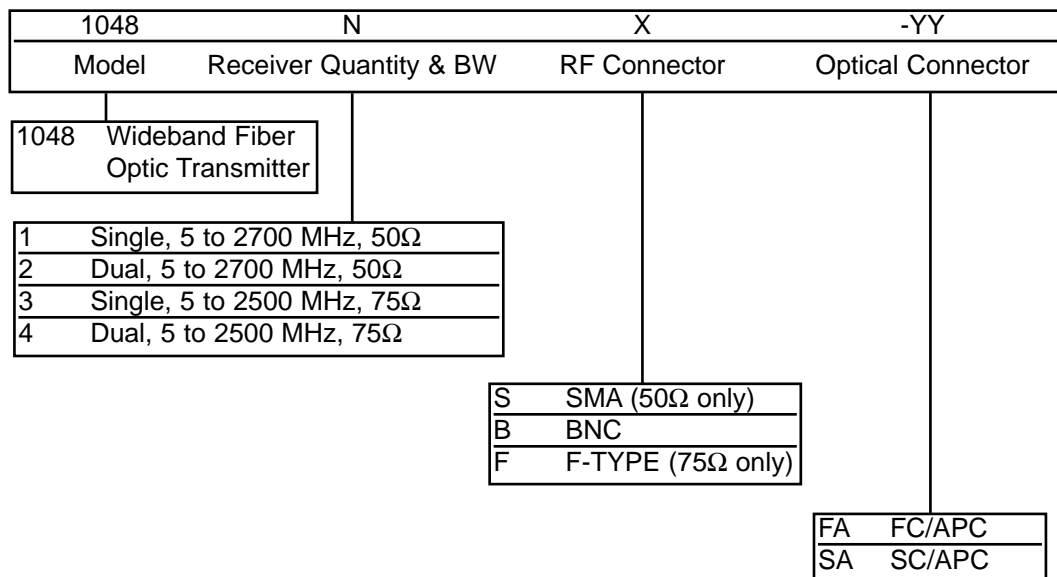
Fiber Transmitter

Example, 10383F-SA-1305



Fiber Receiver

Example, 10483F-SA



Ortel WiBa Series Fiber Optic Links

©Toner Cable Equipment, Inc.

Specifications Subject To Change Without Notice.