



# UCrypt<sup>®</sup> UCRVM

## UCrypt<sup>®</sup> Remote Video Monitor (UCRVM)



Patent Pending

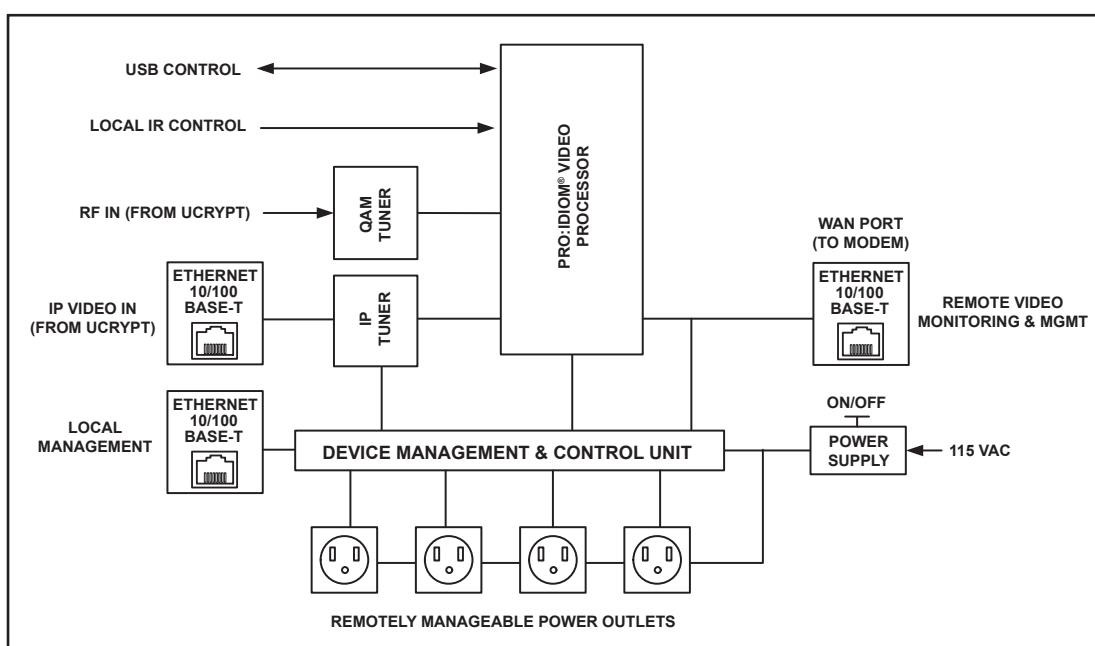
### Features:

- ▶ The UCrypt<sup>®</sup> Remote Video Monitor (UCRVM) allows MSOs to remotely monitor live Pro:Idiom<sup>®</sup> encrypted (or in-the-clear) video from any UCrypt product version deployed in the field or in a headend/hub
- ▶ The UCRVM allows the operator to view multiple Pro:Idiom encrypted programs in real time and verify presence & quality of video & audio at the premises without the need to roll a truck
- ▶ Remotely managed power outlets allow for up to 4 UCrypt devices to be individually remotely power cycled in the event of direct communication loss with a UCrypt device
- ▶ The HTTP-based management interface allows operators to manage & monitor the product remotely

### UCrypt<sup>®</sup> UCRVM Specifications

SPECIFICATIONS		
INPUT		
RF INPUT	RF QAM	64 QAM & 256 QAM Tuners
	CONNECTOR	F Connector (75 Ω)
	FREQUENCY RANGE	54-864 MHz
	RF INPUT LEVEL	+0 to +10 dBmV per Digital Carrier
	ENCRYPTION FORMAT	Supports Monitoring of Pro:Idiom Encrypted Video
IP VIDEO INPUT	ETHERNET CONNECTORS	IEEE 802.3-2002, 10/100BASE-T 1x RJ45
	IP PROTOCOLS	UDP, RTP, RTSP
	VIDEO RESOLUTIONS	480i/480p/720p/1080i/1080p
	VIDEO CODECS	MPEG-1, MPEG-2, H.264
	AUDIO CODECS	AC-3, PCM, MP3, AAC
	ENCRYPTION FORMAT	Supports Monitoring of Pro:Idiom Encrypted Video
OUTPUT		
REMOTE MONITORING	VIDEO & AUDIO FORMAT	IP over Ethernet - IEEE 802.3-2002, 10/100BASE-T
	CONNECTORS	1x RJ45
	BIT RATE	Requires Min. 1.5 Mbps Upload Speed to WAN
REMOTE POWERING		
CONNECTORS	4 Power Outlets (IEC 6950, 3-conductor)	
OUTPUT POWER	115 VAC, 2A @ 115 VAC per Outlet, 50/60 Hz	
OPERATION	Default Power State is ON	
CONTROL	Individually Controlled ON/OFF State	
DEVICE MANAGEMENT		
MANAGEMENT INTERFACE	Local or Remote Management via Integrated Web Server	
MANAGEMENT INTERFACE PORT	10/100/1000BASE-T, Static IP or DHCP, RJ45	
INFRARED PORT	For Optional Local IR-based Remote Control	
USB PORT	For Optional Local Configuration	
PHYSICAL & ENVIRONMENTAL		
MECHANICAL	2RU, 19" Rack Mount: 3.5"H x 19.0"W x 22.8"D (8.89H x 48.26W x 57.91D cm)	
POWERING	115 VAC; 8A @ 115 VAC; 50/60 Hz; Rear IEC Connector (3-conductor)	
POWER CONTROL	Rear Panel ON/OFF Switch w/ LED Indicator	
OPERATING TEMPERATURE	0°C to +50°C (+32°F to +122°F)	
HUMIDITY	0-95% Non-condensing	

**Functional Schematic**



**Ordering Information**

Part Number	Description
<b>UCRYPT MONITORING</b>	
UCRVM	UCrypt Remote Video Monitor