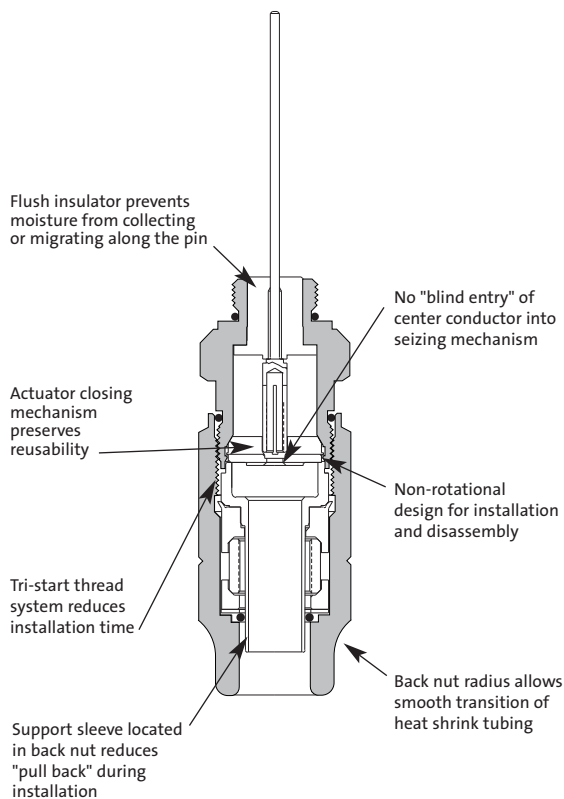


# G2 2-Piece Series

## Trunk & Distribution Connectors

### Connector Specifications

<b>Bandwidth:</b> 5 MHz to 1 GHz	<b>Return Loss:</b> 30 dB minimum
<b>Operating Range:</b> -40°F to +140°F	<b>Insertion Loss:</b> < 0.12 dB (pin types)
<b>Nominal Impedance:</b> 75 ohms	<b>Cable Retention:</b> Exceeds cable manufacturers' maximum pulling tension specifications
<b>Shielding Effectiveness:</b> > 130 dB	



Corning Gilbert introduces the next generation in 2-piece connector technology, with patented design features that provide clear performance advantages over traditional two piece connectors.

Only the G2 Series gives installers a full view of the cable's center conductor insertion into the connector seizing mechanism, eliminating traditional blind entry installations. A unique center conductor seizing system prevents actuator lockup and preserves connector reusability. With the patented support sleeve located in the back nut of the connector, cable "pull back" is minimized. This eliminates cable kinking typically associated with 2-piece connector installation.

## G2 2-Piece Series Trunk & Distribution Connectors

### <sup>1</sup> Materials and Construction of Connector Components:

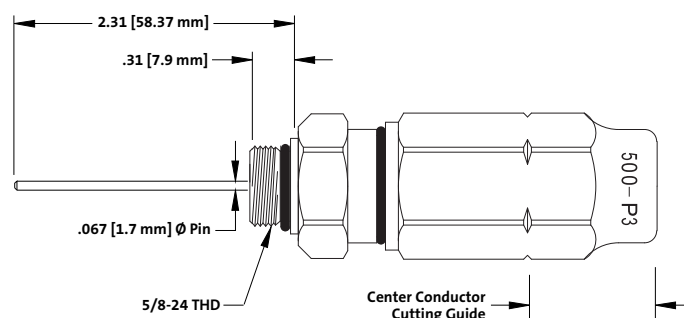
ASTM 6000 Series aluminum alloy with gold chromate conversion coating for excellent corrosion resistance and a dry film lubricant to prevent thread galling.

Contact pins and support sleeves are brass with bright acid tin plating providing excellent RF conductivity.

O-rings are ultraviolet and ozone resistant EPDM for maximum durability.

### Product Features<sup>1</sup>

- Support sleeve located in main nut assembly reduces “pull back” during installation
- Back nut radius allows smooth transition of heat shrink tubing
- Visible entry of center conductor into seizing mechanism (no blind entry)
- Unique Actuator closing mechanism preserves reusability
- Flush insulator prevents moisture from collecting or migrating along the path
- Non-rotational design for installation and disassembly
- Brass pins with bright acid tin plating for excellent RF conductivity



### Ordering Information<sup>2</sup>

#### <sup>2</sup> General Ordering Information:

<b>CH</b>	Pin Connector
<b>SP</b>	Splice Connector
<b>EXT</b>	3" Extension Connector
<b>EXT-6</b>	6" Extension Connector
<b>BAFF</b>	"F" Female Connector
<b>AFM</b>	"F" Male Connector
<b>TR</b>	Cable Terminator

#### CommScope P-3

Times Fiber T-10	Part Number
.500	G2-500-TYPE <sup>2</sup> -P3
.625	G2-625-TYPE <sup>2</sup> -P3
.750	G2-750-TYPE <sup>2</sup> -P3
.875	G2-875-TYPE <sup>2</sup> -P3

#### CommScope QR

.540	G2-540-TYPE <sup>2</sup> -QR
.715	G2-715-TYPE <sup>2</sup> -QR
.860	G2-860-TYPE <sup>2</sup> -QR

Times Fiber TX	Part Number
.565	G2-565-TYPE <sup>2</sup> -TX
.700	G2-700-TYPE <sup>2</sup> -TX
.840	G2-840-TYPE <sup>2</sup> -TX

#### Trilogy MC<sup>2</sup>

.500	G2-500-TYPE <sup>2</sup> -MC <sup>2</sup>
.650	G2-650-TYPE <sup>2</sup> -MC <sup>2</sup>
.750	G2-750-TYPE <sup>2</sup> -MC <sup>2</sup>

#### CommScope P-1

.500	G2-500-TYPE <sup>2</sup> -P1
.750	G2-500-TYPE <sup>2</sup> -P1