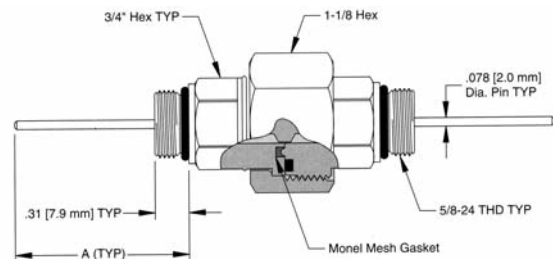


## Trunk & Distribution Connectors & Adapters

### Housing to Housing Rotational Adapter

PART NUMBER	DESCRIPTION	A
G-KS-KS-M-T		2.31
G-KS-KS-MLK-T	Locking Rotational	2.31

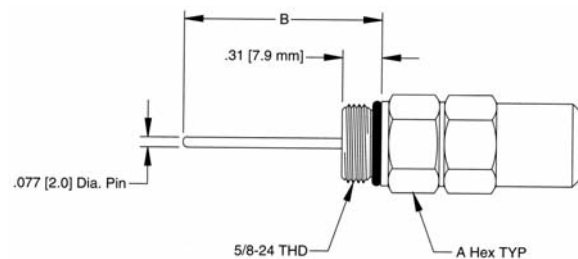
Dimensions are in inches [millimeters]



### Housing Terminator

PART NUMBER	MATERIAL	A	B
GTR-KS-M-T	Brass	3/4"	2.31
GTR-M-T	Aluminum	11/16"	2.31

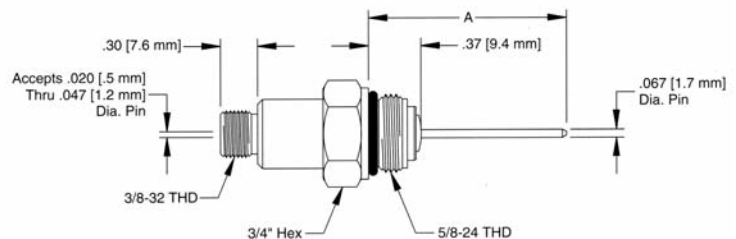
Dimensions are in inches [millimeters]



### KS Male to "F" Female Adapter

PART NUMBER	A
GF-625-CH-T	2.31

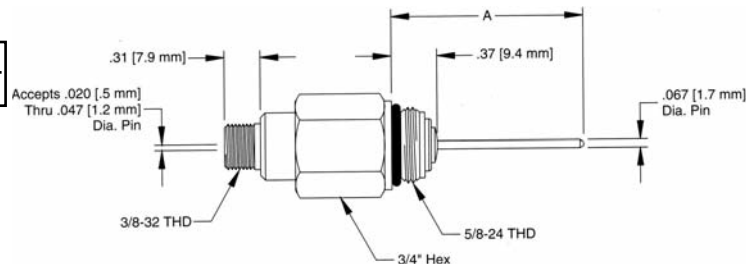
Dimensions are in inches [millimeters]



### KS Male to "F" Female 60 Hz AC Power Blocking

PART NUMBER	A	DESCRIPTION
GF-625-CH-DCB-T	2.31	60 Hz AC power block

Dimensions are in inches [millimeters]

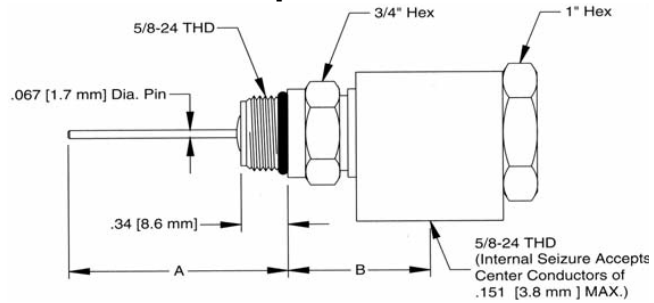


## Trunk & Distribution Connectors & Adapters

### 90 Degree Seizure Screw Adapters

PART NUMBER	A	B
GP-90-T	2.31	1.00
GP-90-3.0-T	2.31	2.22
GP-90-4.5-T	2.31	3.72

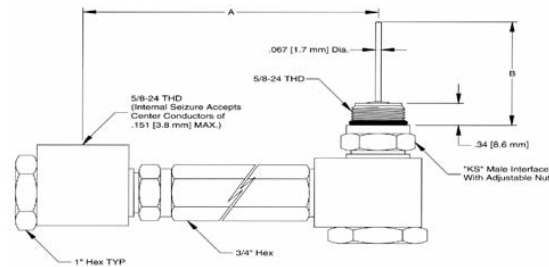
Dimensions are in inches [millimeters]



### 180 Degree Seizure Screw Adapters

PART NUMBER	A	B
GP-PA-T	5.18	2.31
GP-PA-3.0-T	3.00	2.31
GP-PA-4.5-T	4.50	2.31

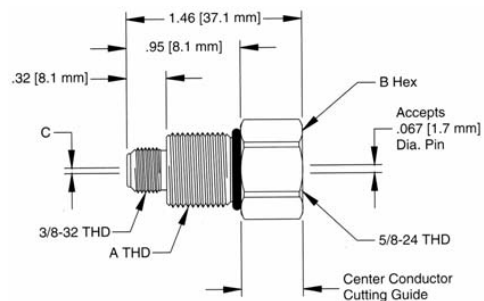
Dimensions are in inches [millimeters]



### KS Female to "F" Female Adapters

PART NUMBER	CONTACT STYLE	A	B	C
G-CH-BAFF-KS	Spring	5/8-24	3/4	.022-.047

Dimensions are in inches [millimeters]



### KS Female to "F" Male Adapters

PART NUMBER
G-CH-AFM

