

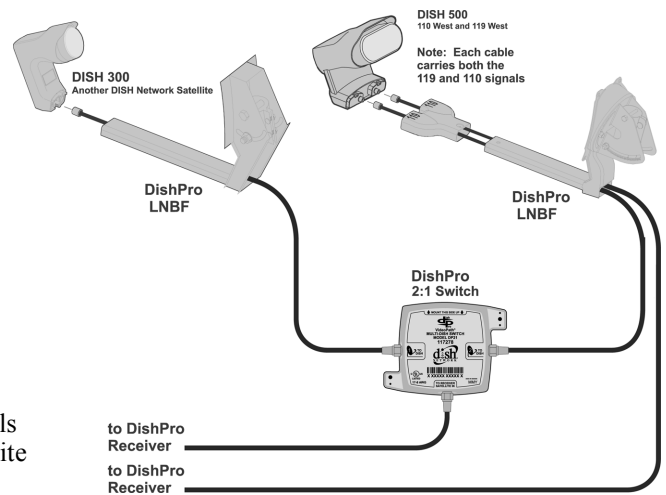


## DishPro 21 Multi-Dish Switch

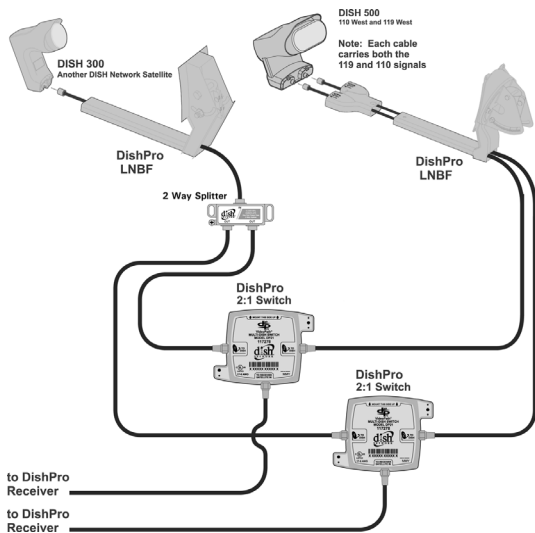


A DishPro 21 (DP21) Multi-Dish Switch allows you to receive signals from two DishPro LNBFs, and route these signals to a DishPro satellite receiver.

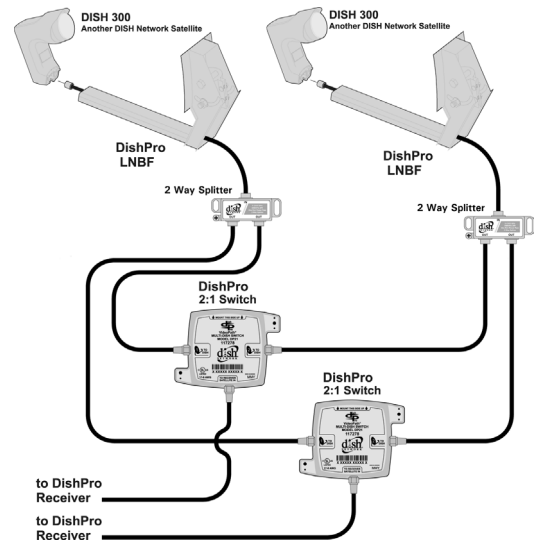
The DP21 switch can be used only with DishPro LNBFs, DishPro Receivers, and non-DishPro receivers equipped with the DishPro Adapter. DishPro products can be identified by the DishPro logo.



**One Dish 500 with a Twin LNBF, One Dish 300 with a Single LNBF, and One DP21 Switch. Supports one receiver from three satellite locations and one receiver from two satellite locations.**



**DISH 500 with DishPro Twin LNBF, DISH 300 with a Single LNBF, Two DP21 Switches, and a DishPro Compliant Splitter. Supports two receivers from three satellite locations.**



**Two DISH 300s with Single DishPro LNBFs, Two DP21 Switches, and Two DishPro Compliant Splitters. Supports two receivers from two satellite locations.**