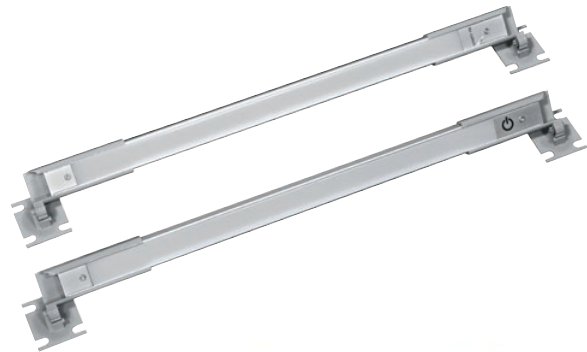


## LT Series

### Rackmount LED Worklight

**The LT-CABUTL-Single is the ideal Rack light for installation in any equipment rack where light is needed to see Devices, Labeling, Connectors, Cabling and for care and maintenance of the equipment. The Rackmount LED work light is ideal for Integrators and installers offering unparalleled visibility.**



features:

- Provides vertical and horizontal mounting capabilities to light anywhere it's needed or space is available
- Adjustable-angle light bar can be positioned so that its bright white LEDs will maximize full rack height illumination
- Two models provide the freedom to choose the level of lighting needed for the size of the rack or installation: Single light or Dual light with interconnect cable.
- Ships with multiple power adapters for expanded international application
- Low-profile, unobtrusive design won't impose on the installation and serviceability of the enclosure



specifications:

LT Series Rackmount/vertical LED worklight shall be Middle Atlantic Products model # LT-CABUT (refer to chart). LT series shall have an adjustable width of 17.73" to 21", a height of 1.75" and a depth of 1.72". LT series shall have a light temperature of 2,700-6,500K, and provide \_\_\_lm (refer to chart). LT series light bar shall have an adjustment range of 100°. LT series shall have a cord length of 59", and the interconnect cable (LT-CABUTL-DUAL only) shall be 118". LT Series shall include power adaptors for US, BS, SAA and EU. LT Series shall have a UL Listed power supply that meets DOE Level VI requirements with an output of 12VDC, 2 Amps. LT Series shall have an input voltage range of 90VAC to 260VAC, an input frequency range of 50/60Hz, and a max AC current draw 800mA AC. LT Series shall meet the EU RoHS Directive 2011/65/EU. LT Series shall be warrant to be free from defects in materials and workmanship under normal use and conditions for a period of 3 years. LT Series shall be CE Marked (single light only) and FCC Part 15, Class B.

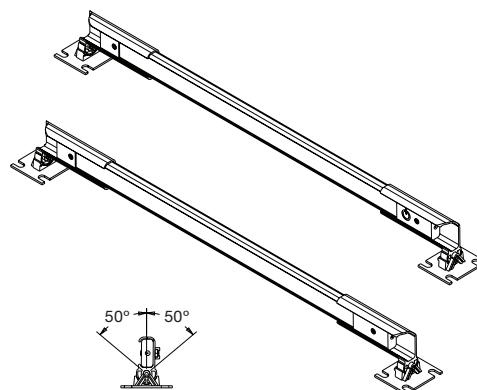
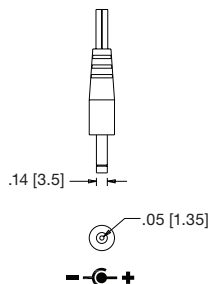
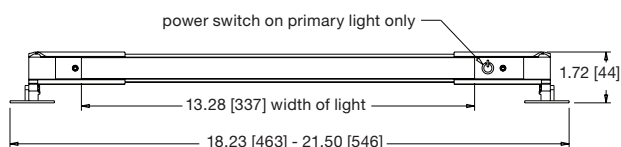
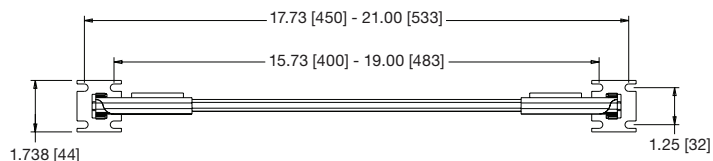
Customizable specification clips available at [middleatlantic.com](http://middleatlantic.com)

EIA/TIA COMPLIANT



# LT Series Rackmount LED Worklight

mounting brackets telescope to allow rackmount  
or a wide variety of mounting possibilities



TECHNICAL SPECIFICATIONS	LT-CABUTL-SINGLE	LT-CABUTL-DUAL
INPUT (AC/DC ADAPTER)		
Input Voltage Range	90VAC - 260VAC	
Input Frequency Range	50/60Hz	
Max AC Current Draw @ Full Load	800mA AC	
OUTPUT (AC/DC adapter)		
Nominal DC Output Voltage	12VDC	
DC Output Voltage Range	11.4VDC - 12.6VDC	
Typical DC Current Draw	Single Light 0.6ADC, Dual Light 1.2ADC	
Max DC Load Current	2.0ADC	
Short Circuit Protection	Yes	
DC Output Connector	3.5mm x 1.35mm x 12mm, Center Positive	
PHYSICAL (AC/DC adapter)		
Dimensions	1.8 x 3.5 x 1.5 in (45.5mm x 88mm x 38mm)	
AC Receptacles	Four (4) Interchangeable: US, BS, SAA, EU	
Weight Lb. (G)	0.39lb (175g)	
REGULATORY(AC/DC adapter)		
Safety	UL, cUL, CE	UL, cUL
EMI (Adapter and Lights)	FCC Class B, CE	FCC Class B
Efficiency	Meets US DOE Level VI requirements	
ENVIRONMENTAL (lights and AC/DC adapter)		
Operating Temperature	32F TO 104F (0C TO 40C)	
OPERATING RELATIVE		
Humidity	0 TO 90% NON-CONDENSING	

Notes:  
1. International power supply included. adaptors for US, BS, SAA, & EU included.  
cord length 59 [1500] power supply output 12 VDC, 2A

	Light Qty	Interconnect Cable / Length	Light Temperature	Lumens
LT-CABUTL-SINGLE	1	no	2700-6500K	480-540lm
LT-CABUTL-DUAL	2	yes / 118 [3000]	2700-6500K	960-1080lm

all dimensions in inches unless otherwise noted [all dimensions in brackets are in millimeters]