



INSTRUCTION MANUAL

OC-12d

Headend Combiner (Passive)

Stock No. 5953



Description

The Blonder Tongue OC-12d is a 5 - 1000 MHz passive output combiner with twelve broadband input ports. It is used in headends to combine up to twelve modulators and/or processors.

The OC-12d features high isolation between ports and a low net combining loss from each of the twelve inputs. A -20 dB test jack on the front panel permits testing without removing the unit from the headend. Headend output levels may be conveniently adjusted without disconnecting any equipment.

Two or more units may be used to provide more than twelve channels in larger systems (i.e. 36, 48, and 60).

The OC-12d is a compact, 1.75" high unit designed for mounting in a standard 19" EIA rack.

Features

- High Isolation Between Ports
- Built-in Output Test Jack Permits Testing with Uninterrupted Service
- May Be Used in Larger Systems

Specifications

Electrical

Frequency Response: 5-1000 MHz

Insertion Loss

5-40 MHz: 17.6 dB
40-1000 MHz: 18.2 dB

Input Return Loss

5-40 MHz: 26 dB
40-1000 MHz: 20 dB

Output Return Loss

5-40 MHz: 9 dB
40-1000 MHz: 16 dB

Isolation Between Ports:

(1 & 2 or 3 & 4 or 5 & 6 or 7 & 8)
5 to 40 MHz: 38 dB
40 to 1000 MHz: 38 dB

Isolation Between any Combination of:

(1-2 & 3-4, 5-6 & 7-8, 9-10 & 11-12)
5 to 40 MHz: 55 dB
40 to 1000 MHz: 65 dB

Flatness: ± 0.2 dB relative to slope

Slope (5-1000 MHz): -1.5 dB

Test Jack: -20 dB

Impedance: 75 Ohm

Mechanical

Dimensions (W x H x D): 19 x 1.75 x 15.25 in.

Shipping Weight: 7.0 lbs.

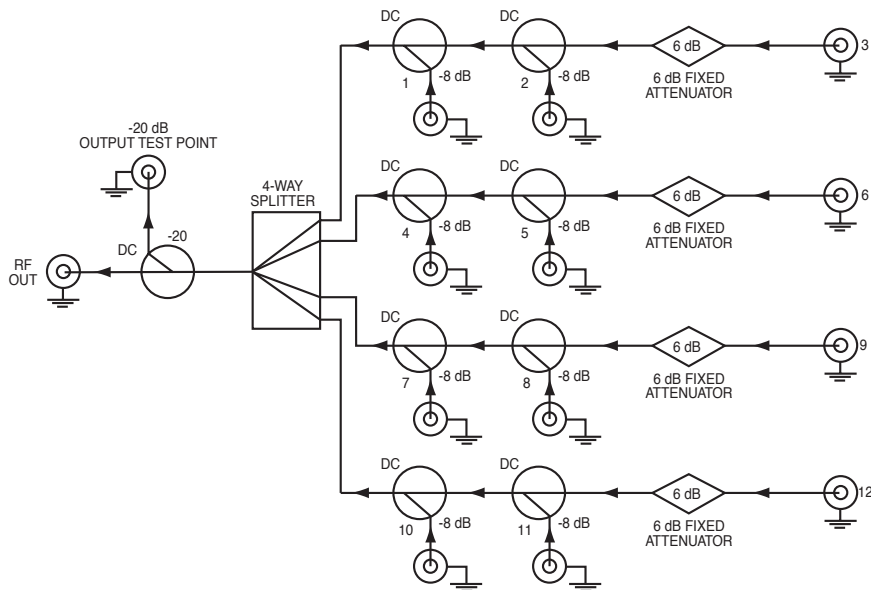
Connections "F" Type

Input: 12

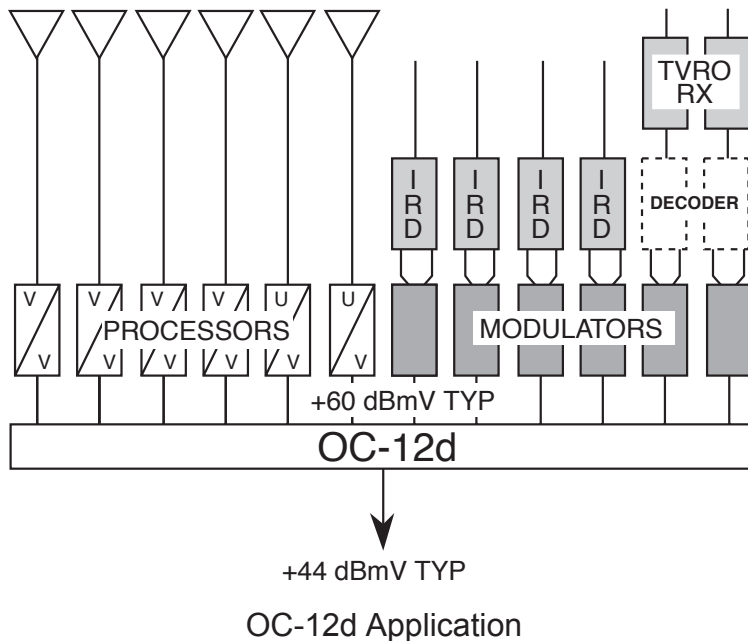
Output: 1

Test: 1 (Front Panel)

651137800J



OC-12d Block Diagram



OC-12d Application

Testing

The performance of the OC-12d can be checked at the -20 dB test jack (located on the front panel) without interrupting service. A standard 75 Ohm "F" type connector is used.

Returning Product for Repair (or Credit)

A Return Material Authorization (RMA) Number is required on all products returned to Blonder Tongue, regardless if the product is being returned for repair or credit. Before returning product, please contact the Blonder Tongue Service Department at 1-800-523-6049, Ext. 4256 or visit our website: www.blondertongue.com for further information.



**BLONDER
TONGUE**
LABORATORIES, INC.

One Jake Brown Road, P.O. Box 1000
Old Bridge, NJ 08857-1000 USA
(800) 523-6049 • (732) 679-4000 • FAX: (732) 679-4353
www.blondertongue.com