



FlexLink S7B-1616

Switch Matrix 8x8 to 16x16, extended L-Band (850 - 2450MHz)



...pictures comparable, updated pictures coming soon

GENERAL

The FlexLink S7B-1616 represents a professional L-Band Switch Matrix designed in a compact and space saving 1RU/19" rackmount chassis. The standard unit comes with a 8x8 input/output configuration while expansion is easily possible to a maximum of 16x16 (increments of 4) simply by purchasing and activating the relevant license-key. The FlexLink S7B-1616 supports symmetrical or asymmetrical configurations such as 8x8, 8x12, 12x8, 8x16, 16x8 to a maximum of 16x16.

The new FlexLink S7B-1616 is a future proof Switch Matrix now with widened bandwidth of 850-2450MHz, also supporting the extended L-Band frequency range (850-2450MHz) making it a perfect solution also for KA Band and HTS applications. The unit features an efficient, flexible and reliable solution for today's and future L Band signal management and allows to switch/route any input to any or all outputs without limitations and interferences, while all combinations of inputs and outputs are configurable locally and remotely. The FlexLink S7B-1616 supports variable gain adjustment, slope-equalization, RF power monitoring as well as dual redundant power-supply. Furthermore the unit features switchable LNB-supply and a 10MHz external reference signal input.

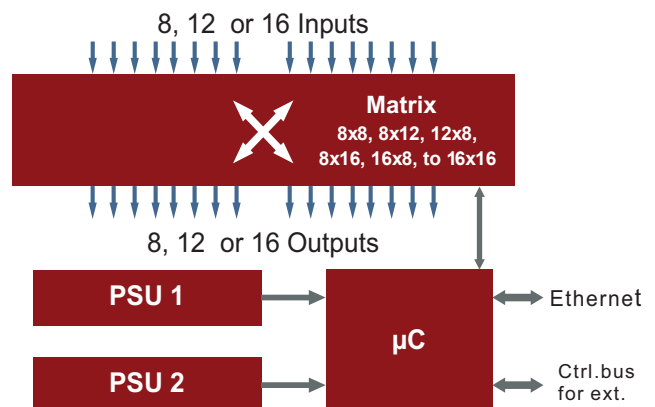
Isolation, linearity and frequency response are at the highest level assuring excellent and stable operation with superior RF performance and signal quality. The unit is available with 50 Ohm or 75 Ohm connectors for the inputs and outputs and upon request it can also be equipped with optical inputs. The FlexLink S7B-1616 has a LC-Display & keypads for user friendly local configuration. Remote configuration and monitoring can be done via its rear side Ethernet-Interface (<http://WebGUI>, SNMP) while it can also be integrated into a management and control system (NMS or M&C) via SNMP.

The FlexLink S7B-1616 is an ideal platform for flexible signal switching applications and perfectly suited for integration into Teleports, Satellite Earth Stations, DSNG's as well as Broadcasting and CATV/IPTV headend architectures.

FEATURES & BENEFITS

- Space saving 1RU/19" rack-mount design
- Versatile L-Band switching solution 8x8 to max. 16x16
- Supports symmetrical & asymmetrical sizes such as 8x8, 8x12, 12x8, 8x16, 16x8...up to 16x16 (increments of 4)
- Easy expansion of inputs or outputs via license-key activation (increments of 4)
- Available with 50 Ohm or 75 Ohm connectors
- Available with optical inputs (upon request)
- Variable gain adjustment (@ any input)
- Slope equalization 0-9dB (@ any input)
- RF power monitoring (@ any input)
- Switchable LNB supply 13/15/18V, 22kHz; 400mA current monitoring (@ any input)
- Features 10MHz external reference input (@ any input)
- Superior RF performance, signal quality and stability
- Dual redundant power supply

- Low power-consumption & heat generation
- Front side LC-Display & keypads for local configuration
- Rear side Ethernet-Interface for remote configuration (<http://WebGUI>, SNMPv2c)



FlexLink S7B-1616

Switch Matrix 8:8 to 16:16, extended L-Band (850 - 2450MHz)

TECHNICAL SPECIFICATIONS

➤ Dimensions:	1RU/19" rack mount
➤ Weight/unit:	approx. 7kgs (15.5 lbs)
➤ Power-supply:	85 - 230V, 50/60Hz (1:1 dual redundant)
➤ Power-consumption:	<25W (without LNB-supply)
➤ Frequency range:	850 - 2450MHz (extended L-Band)
➤ Capacity (standard):	8x8
➤ Capacity (max.):	16x16
➤ Expansion capacity:	Increments of 4 e.g. to 8x12, 12x8, 8x16, 16x8...max. 16x16 <i>via license-key</i>
➤ Connectors:	50 Ohm SMA(f)/BNC(f) or 75 Ohm F(f)*BNC(f)
➤ Optical inputs:	SC/APC*
➤ 10MHz external input:	50Ohm SMA(f), rear side
➤ Variable gain control:	-20dB - +10dB (@ any input)
➤ Slope equalization:	0 - 9dB (@ any input)
➤ RF Input power:	10dBm max.
➤ Input P1dB:	+3dBm

➤ Max. RF output power:	+10dBm.
➤ In- /Output Return loss:	14dB min, 16dB typ
➤ Isolation:	≥60dB typ. (<i>Input/Input, Input/Output, Output/Output</i>)
➤ Noise figure:	< 6dB in unit (@ full gain)
➤ Frequency response:	± 1dB typ., ± 1,5dB max.
➤ IMA3 @ -10dBm:	> -50dBc
➤ RF power monitoring:	60dB dynamic range (@ any input)
➤ Switchable LNB supply:	13/15/18V/22kHz, 400mA (@ any input),
➤ Local control:	LC-Display, keypads
➤ Remote control:	100 Mbit Ethernet-Interface, (http://WebGUI , SNMPv2c)
➤ Environmental:	ETSI En300, Part 1-3, Class 3.1
➤ EMC / Safety:	EN 50083-2 / EN 60950-1
➤ Operating temperature:	0 - 45°C (32-115°F)
➤ Storage temperature:	-10 - 65°C (15-150°F)
➤ Humidity:	90% non condensing
➤ RoHS:	Compliant

**upon request*

ORDER INFORMATION

➤ FlexLink S7B-1616-50S:	L-Band Switch Matrix 8x8 to 16x16 50Ohm SMA(f)
➤ FlexLink S7B-1616-50B:	L-Band Switch Matrix 8x8 to 16x16 50Ohm BNC(f)
➤ FlexLink S7B-1616-75F*:	L-Band Switch Matrix 8x8 to 16x16 75Ohm F(f)*
➤ FlexLink S7B-1616-75B:	L-Band Switch Matrix 8x8 to 16x16 75Ohm BNC(f)
➤ FlexLink S7B-1616-F50S*:	L-Band Switch Matrix 8x8 to 16x16 Optical IN SC/APC, 50Ohm SMA(f) OUT
➤ FlexLink S7B-1616-F50B*:	L-Band Switch Matrix 8x8 to 16x16 Optical IN SC/APC, 50Ohm BNC(f) OUT
➤ FlexLink S7B-1616-F75F*:	L-Band Switch Matrix 8x8 to 16x16 Optical IN SC/APC, 75Ohm F(f)* OUT
➤ FlexLink S7B-1616-F75B*:	L-Band Switch Matrix 8x8 to 16x16 Optical IN SC/APC, 75Ohm BNC(f) OUT

**upon request*

INPUT & OUTPUT EXPANSION

(Standard 8x8, 8x12, 12x8, 8x16, 16x8, max 16x16)

➤ FlexLink S7B-1616-LKI:	4 input port activation license key
➤ FlexLink S7B-1616-LKO:	4 output port activation license key