

Orion QuadraVista HM 4K60 4K60 HDMI Quad Viewer



Features and Benefits

- Displays up to four HDMI video sources on a single monitor
- Input resolutions from 640×480@60Hz to 1920×1200@60Hz, interlaced or progressive
- Supports output resolutions up to 4K2K@60Hz
- HDCP 1.4 compliant
- Analog stereo audio output
- Output display parameters such as layout, resolution, titles, and borders are software controllable
- Up to eight different layouts can be saved
- Resize, position, zoom, pan, and blend output video
- Configure output through RS-232 or Ethernet
- 28 key IR remote control
- Rotation of input image by +90° or -90°
- Supports pixel by pixel mapping in a 2 x 2 configuration
- Automatically upscale 1920×1080 @ 60 Hz output resolution to 4K2K
- Two EDID selections, and custom EDID can be loaded from file
- Firmware updates via configuration software

- ▶ Simultaneous display of four HDMI video sources on a single monitor
- ▶ Input resolutions up to 1920×1200@60 Hz, interlaced or progressive
- ▶ Output resolutions up to 4K2K@60Hz (4:4:4 8 bits)
- ▶ Window size and position are software adjustable
- ▶ HDCP 1.4 compliant
- ▶ IR Remote Control

Product Overview

The QuadraVista HM 4K60 from Rose Electronics is a unique Quad Viewer. Its versatility and ultra-high definition 4K2K output makes it ideal for command centers, broadcasting, financial institutions, and many other applications.

The QuadraVista HM 4K60 accepts up to four HDMI inputs and displays them in quad view on an HDMI monitor. Input resolutions can be interlaced or progressive, from 640×480@60Hz to 1920×1200@60Hz. Output resolutions range from 640×480@60Hz to 4K2K@60Hz.

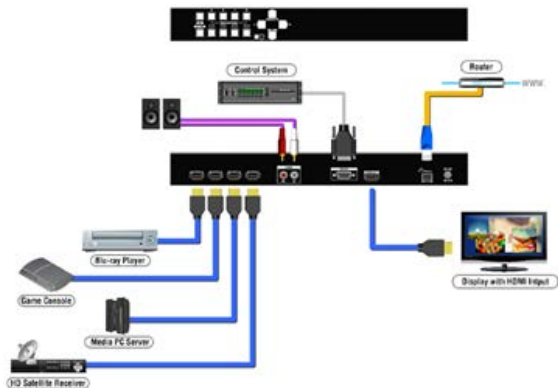
Users can select from nine default output screen layouts, and up to eight custom layouts can be created and stored by the system.

The output video can also be resized, repositioned, zoomed and panned. One input image can be rotated by +90° or -90°. They can be given borders, titles and backgrounds. Audio from any of the four inputs can be played as well.

Configuration of the unit is controlled through software running on a Windows PC, connected to the QuadraVista HM 4K60 through RS-232 or Ethernet. A 28 key IR remote is used to change display settings "on the fly." Firmware updates can also be performed through the configuration software.

Orion QuadraVista HM 4K60 4K60 HDMI Quad Viewer

Typical Application



- Add multi-screen configurations to your boardroom for improved collaboration and idea sharing
- Use for your digital signage applications to provide multiple video sources on the same display
- Ideal for connecting and switching multiple video sources in test bed facilities, help desk, and video broadcasting facilities
- Monitor multiple video security cameras simultaneously

Installation The installation of the QuadraVista HM 4K60 is quick and easy. Using HDMI cables, connect the input video sources and the display monitor to the unit. Power on the QuadraVista. Install the software control program on a Windows PC, and select either RS232 or Ethernet control depending on the PC connection method. The control interface window will open, allowing configuration of the output display settings. An IR remote can also be used to select output resolution and to switch layouts. To play audio from one of the sources, connect speakers to the audio ports on the unit.

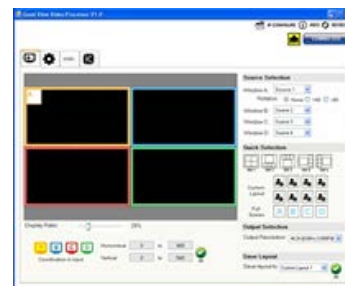
Operation The QuadraVista HM 4K60 has two internal default EDIDs, one for HD (1080i/720p@60Hz) and another for Full HD (1080p @ 60 Hz). It is also possible to load a custom EDID from a file. An EDID can be supplied to any individual input or all of the inputs.

Specifications

Dimensions (W x D x H)	15.4" x 8.8" x 1.7" 390 x 224 x 42 mm
Weight	5.1 lb. (2.3 kg)
Power	100-240 VAC 50-60Hz +12V 5A. 8.9 Watts (max)
Video resolution	HDMI Input: 1920x1200@60Hz HDMI Output: 4K2K@60Hz (4:4:4 8 bits)
Video bandwidth	Input: HDMI [2.25G to 6.75Gbps] Output: Single-link 600MHz [18Gbps]
HDMI compliance	Input: HDMI 1.4 Output: HDMI 2.0a
HDCP compliance	HDCP 1.4
TMDS signal	Input: 1.2 volts [peak to peak]
Audio support	Bypass
Control method	RS-232, Ethernet, IR, Front Panel
Control software	Windows 2000, XP, 7, 8
Default EDID	Full-HD (1080p@60Hz) 24-bit, 2D&2ch HD (1080i/720p@60) 24-bit, 2D&2ch
Connectors	Input: 4 x HDMI Type A (F) 1 x RS-232 DB9F 1 x RJ45 (Ethernet) WE/SS 8p8c Output: 1 x HDMI Type A (F) 2 x 3.5mm stereo audio (L/R)
Environment	Operating temp: 32°F–104°F (0°C–40°C) Storage temp: -4°F–140°F (-20°C–60°C) Relative humidity: 2%–90%, non-condensing
Approvals	FCC Part 15 Class A, CE, WEEE, RoHS

Part numbers

QV-4x1HM-4K60	QuadraVista HM 4K60
CAB-HDMIMM006	HDMI (M/M) cable 6ft (2.0m)
CAB-HDMIMM010	HDMI (M/M) cable 10ft (3.0m)
CAB-DVIMHDMIM006	DVI(M) to HDMI(M) 6ft (2.0m)
CAB-DVIMHDMIM010	DVI(M) to HDMI(M) 10ft (3.0m)



Software Control Window