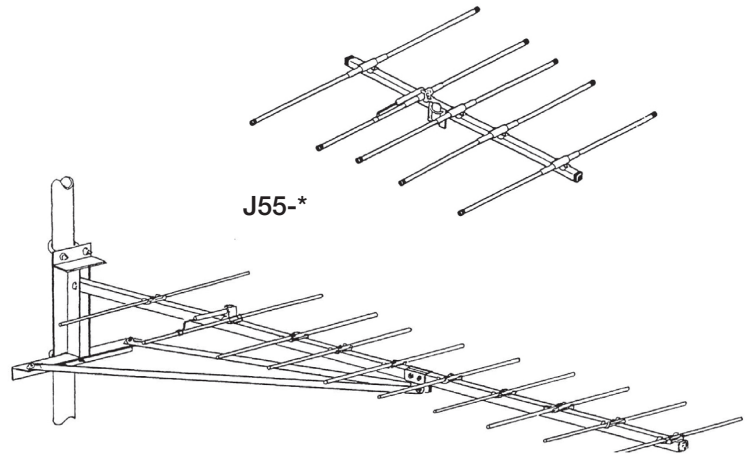


# J-55

## Lowband Yagi Antenna

### Features

- Extra heavy-duty construction
- Seamless end-sealed chrome aluminum tubing prevents moisture penetration
- Anti-corrosion ensures maintenance free, weather resistant installation
- Stack vertically or horizontally for increased gain and directivity
- 125 mph wind velocity survival rating
- Cantilever mount available for all models



WADE Cantilever Mount

| ELECTRICAL SPECIFICATIONS |                 |
|---------------------------|-----------------|
|                           | Cut-Channel     |
| MODEL                     | J55-*           |
| NO. ELEMENTS              | 5               |
| CHANNEL*                  | 2 to FM*        |
| GAIN                      | 10 dBi          |
| IMPEDANCE                 | 75 Ohm          |
| VSWR                      | 1.5:1           |
| FR:BK RATIO               | 18 dB           |
| POLARIZATION              | Horiz.          |
| H. BEAM WIDTH             | 60 deg.         |
| V. BEAM WIDTH             | 100 deg.        |
| CONNECTOR                 | "F" Connector   |
| CENTRE MOUNT              | Standard        |
| CANTILEVER MOUNT          | Optional        |
| PIPE SIZE **              | Up to 2.0" O.D. |

The J-55 Series Lowband antennas are single channel 5 element Yagi's designed for rugged installation on towers and other structures where their extra heavy duty construction will ensure a long operational life.

J-Series system antennas are specifically designed for commercial and industrial master antenna installations. Their heavy-duty construction ensures reliability under severe climatic conditions, providing a durable, trouble-free operation. Available in cut-to-channel yagi models. Our single channel antennas feature sharp directivity for high gain, and excellent front-to-back ratios. All antennas are available with the exclusive Wade Cantilever Mount. Our J Series antennas are the answer to any system where high reliability or long life is a must.

| MECHANICAL SPECIFICATIONS |              |             |              |                 |          |
|---------------------------|--------------|-------------|--------------|-----------------|----------|
| MODEL                     | LENGTH (IN.) | WIDTH (IN.) | WEIGHT (LBS) | THRUST (FT-Lbs) |          |
|                           |              |             |              | NO ICE          | 1/4" ICE |
| J55-2                     | 102          | 110         | 18           | 52              | 80       |
| J55-3                     | 89           | 100.5       | 18           | 46              | 72       |
| J55-4                     | 88           | 89          | 17           | 40              | 66       |
| J55-5                     | 80           | 77          | 16           | 36              | 60       |
| J55-6                     | 71           | 70          | 16           | 32              | 54       |
| J55-FM                    | 79           | 65          | 16           | 32              | 54       |