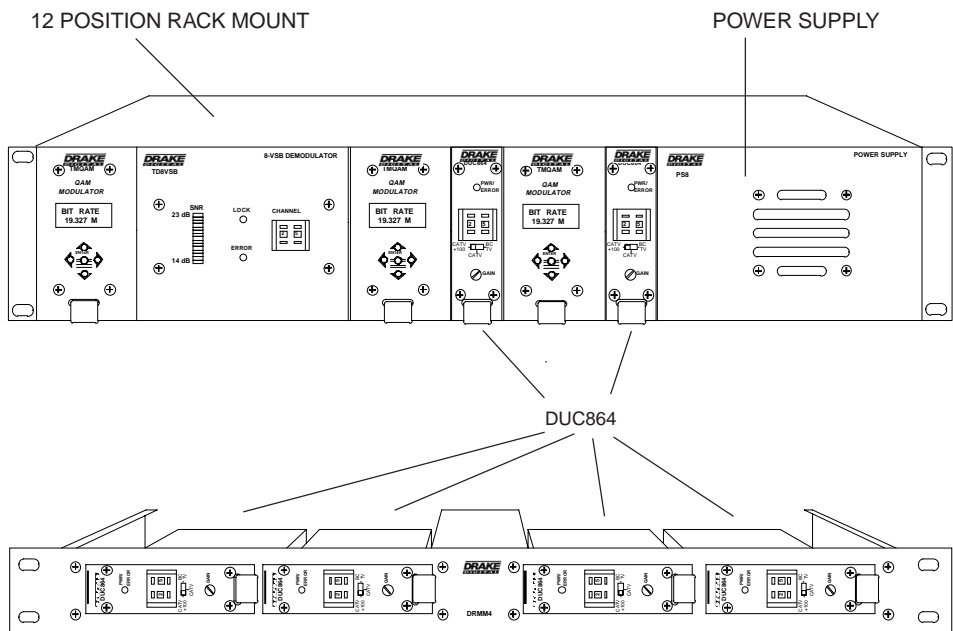


1 **DRAKE**™ DUC864 DIGITAL UPCONVERTER



The R.L. Drake DUC864 is a low noise upconverter used to translate the 44 MHz digital IF signal from a QAM or VSB modulator, DDC downconverter, or other similar equipment to the desired CATV or off-air output channel. A single model covers the entire 54 to 860 MHz output range. The DUC864 features low phase noise and can be used for QAM modulation up to 256 QAM. This module can be rack mounted using the DRMM4 or DRMM12 rack mount. The PS8 power supply module is required with the DRMM12.

2 FRONT PANEL CONTROLS and INDICATORS

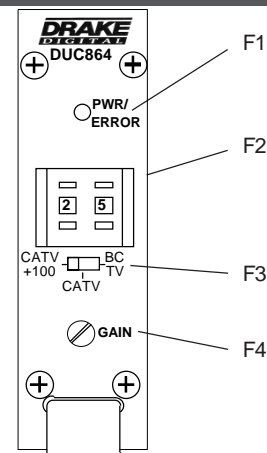
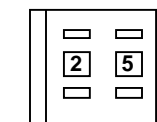


Figure 1

F1 - POWER/ERROR Indicator

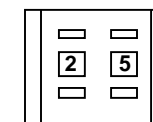
Lights when the unit is connected to the required source of DC power via the rear panel DC INPUT connector. A flashing condition indicates an invalid channel setting or other conditions that would cause the unit to operate on an invalid channel. The RF output is switched off for flashing (ERROR) conditions.

For example:
Setting for CATV
channel "125"-



CATV +100 - BC TV
|
CATV

For example:
Setting for CATV
channel "25"-



CATV +100 - BC TV
|
CATV

F2 - Channel Number Switch

Sets the desired operating channel for standard CATV or Broadcast channel plans. See also Item F3 which sets the type of channel (CATV or Broadcast TV) and sets the leading "1" for CATV channels 100 through 135.

F3 - Channel Mode Switch

Sets the type of channel, CATV or Broadcast. The CATV +100 mode sets a leading "1" for CATV channels 100 through 135.

F4 - GAIN Control

This control sets the RF output level. The full clockwise setting is a minimum output of +45 dBmV.

™ is a trademark of the R.L. Drake Company

DRAKE® is a registered trademark of the R.L. Drake Company

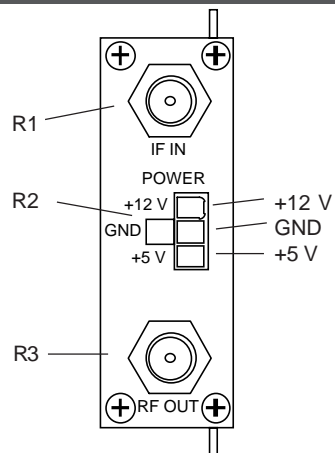


Figure 2

R1 - IF INPUT Connector

This is the 44 MHz IF input. The required level is +30 dBmV (from TMQAM or DDC, etc).

R2 - DC INPUT Connector

This 3-pin connector (Male) accepts the appropriate mating DC power cable. Observe proper orientation and wiring.

R3 - RF OUTPUT Connector

This is the upconverter output.

CONNECTIONS AND CONTROLS

All connections to and from each upconverter are made through the rear panel.

DESCRIPTION

Figure 3 shows a typical installation utilizing 4 DUC864 upconverters used with 4 TMQAM modulators. A PS8 power supply module is used to power all units.

RACK MOUNTING

Adequate ventilation is very important in multichannel installations. Units should be spaced apart by at least one panel height wherever possible, and some air movement is mandatory in enclosed rack cabinets. Excessive heat will shorten component life and modulator performance will be degraded without proper cooling.

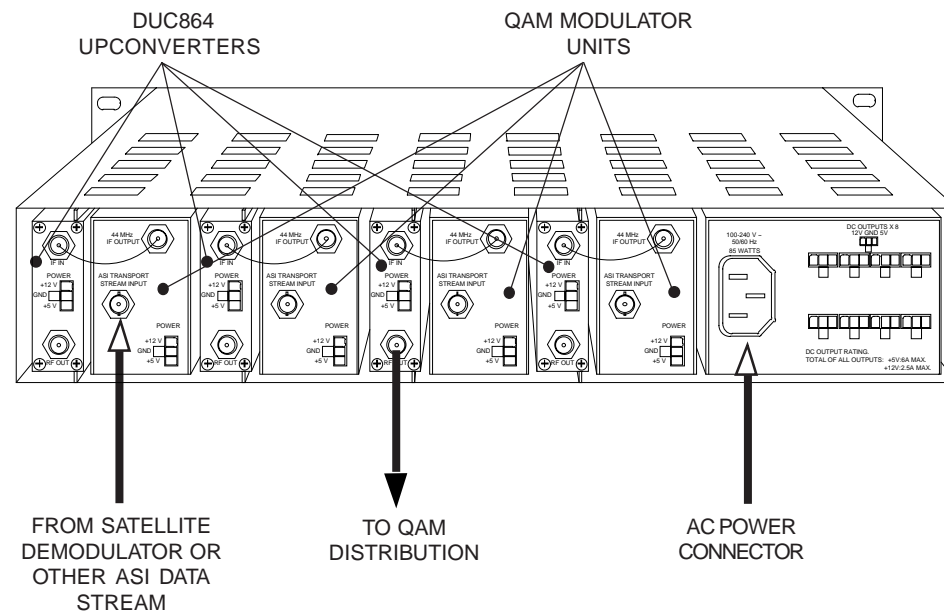


Figure 3

5 CHANNEL FREQUENCIES

CABLE TV CHANNELS	
Channel Number	Center of Channel
EIA/NCTA Numeric Equivalent	Frequency in MHz
2	57
3	63
4	69
5	79
6	85
95	93
96	99
97	105
98	111
99	117
14	123
15	129
16	135
17	141
18	147
19	153
20	159
21	165
22	171
7	177
8	183
9	189
10	195
11	201
12	207
13	213
23	219
24	225
25	231
26	237
27	243
28	249
29	255
30	261
31	267
32	273
33	279
34	285
35	291
36	297

CABLE TV CHANNELS	
Channel Number	Center of Channel
EIA/NCTA Numeric Equivalent	Frequency in MHz
37	303
38	309
39	315
40	321
41	327
42	333
43	339
44	345
45	351
46	357
47	363
48	369
49	375
50	381
51	387
52	393
53	399
54	405
55	411
56	417
57	423
58	429
59	435
60	441
61	447
62	453
63	459
64	465
65	471
66	477
67	483
68	489
69	495
70	501
71	507
72	513
73	519
74	525
75	531
76	537
77	543
78	549

CABLE TV CHANNELS	
Channel Number	Center of Channel
EIA/NCTA Numeric Equivalent	Frequency in MHz
79	555
80	561
81	567
82	573
83	579
84	585
85	591
86	597
87	603
88	609
89	615
90	621
91	627
92	633
93	639
94	645
100	651
101	657
102	663
103	669
104	675
105	681
106	687
107	693
108	699
109	705
110	711
111	717
112	723
113	729
114	735
115	741
116	747
117	753
118	759
119	765
120	771
121	777
122	783
123	789
124	795
125	801
126	807
127	813
128	819
129	825
130	831
131	837
132	843
133	849
134	855
135	861

6 CHANNEL FREQUENCIES, continued

Frequencies shown are the center of each 6 MHz wide channel.

VHF BROADCAST CHANNELS	
Channel Number	Center of Channel Frequency (MHz)
2	57
3	63
4	69
5	79
6	85
7	177
8	183
9	189
10	195
11	201
12	207
13	213

OFF-AIR

UHF BROADCAST CHANNELS	
Channel Number	Center of Channel Frequency (MHz)
14	473
15	479
16	485
17	491
18	497
19	503
20	509
21	515
22	521
23	527
24	533
25	539
26	545
27	551
28	557
29	563
30	569
31	575
32	581
33	587
34	593
35	599
36	605
37	611
38	617
39	623
40	629
41	635
42	641
43	647
44	653
45	659
46	665
47	671
48	677
49	683
50	689
51	695
52	701
53	707
54	713
55	719
56	725
57	731
58	737
59	743
60	749
61	755
62	761
63	767
64	773
65	779
66	785
67	791
68	797
69	803

IF INPUT

Frequency: 44 MHz.

Input Level: +30 dBmV, ± 2 dB.

Input Impedance: 75 Ohms, return loss >20 dB.

OUTPUT

Frequency Range: 54 to 864 MHz;

CATV channels 02 through 135,

Broadcast TV channels 02 through 69.

Output level: +45 dBmV minimum, 15 dB adjustment range.

Broadband Noise: -73 dBc (6 MHz bandwidth) @ +45 dBmV output level.

In Channel C/N: -63 dB (6 MHz bandwidth) @ +45 dBmV output level.

Spurious Outputs (5 MHz to 900 MHz): -60 dBc @ +45 dBmV output level.

Output Impedance: 75 Ohms, return loss >10 dB typical.

Amplitude Flatness Over

6 MHz Channel: ± 0.4 dB maximum.

SSB Phase Noise: -95 dBc @ 10 kHz offset, -70 dBc @ 1 kHz offset.

Frequency Stability: ± 5 ppm.

MER: 30 dB minimum (unequalized),

38 dB minimum (with blind equalizer).

GENERAL +12 V $\pm 5\%$ at 300 mA.

DC Power Input: +5 V $\pm 5\%$ at 350.

Operation Temperature: 0°C to +50°C, ambient.

Size: 1" W x 3.5" H x 9.25" D

Weight: 14.5 oz.

Specifications subject to change without notice or obligation.

THREE YEAR LIMITED WARRANTY

R.L. DRAKE COMPANY warrants to the original purchaser this product shall be free from defects in material or workmanship for three (3) years from the date of original purchase.

During the warranty period the R.L. DRAKE COMPANY or an authorized Drake service facility will provide, free of charge, both parts and labor necessary to correct defects in material and workmanship. At its option, R.L. DRAKE COMPANY may replace a defective unit.

To obtain such warranty service, the original purchaser must:

(1) Retain invoice or original proof of purchase to establish the start of the warranty period.

(2) Notify the R.L. DRAKE COMPANY or the nearest authorized service facility, as soon as possible after discovery of a possible defect, of:
 (a) the model and serial number,
 (b) the identity of the seller and the approximate date of purchase; and
 (c) A detailed description of the problem, including details on the electrical connection to associated equipment and the list of such equipment.

(3) Deliver the product to the R.L. DRAKE COMPANY or the nearest authorized service facility, or ship the same in its original container or equivalent, fully insured and shipping charges prepaid.

Correct maintenance, repair, and use are necessary to obtain proper performance from this product. Therefore carefully read the Instruction Manual. This warranty does not apply to any defect that R.L. DRAKE COMPANY determines is due to:

(1) Improper maintenance or repair, including the installation of parts or accessories that do not conform to the quality and specifications of the original parts.

(2) Misuse, abuse, neglect or improper installation.

(3) Accidental or intentional damage.

All implied warranties, if any, including warranties of merchantability and fitness for a particular purpose, terminate three (3) years from the date of the original purchase.

The foregoing constitutes R.L. DRAKE COMPANY'S entire obligation with respect to this product, and the original purchaser shall have no other remedy and no claim for incidental or consequential damages, losses or expenses. Some states do not allow limitations on how long an implied warranty lasts or do not allow the exclusions or limitation of incidental or consequential damages, so the above limitation and exclusion may not apply to you.

This warranty gives you specific legal rights and you may also have other rights which vary from state to state. This warranty shall be construed under the laws of Ohio.



R.L. DRAKE COMPANY
 230 INDUSTRIAL DRIVE
 FRANKLIN, OHIO 45005 U.S.A.
CUSTOMER SERVICE AND PARTS TELEPHONE: +1 (937) 746-6990
TELEFAX: +1 (937) 806-1576
WORLDWIDE WEB SITE: <http://www.rldrake.com>

THREE YEAR LIMITED WARRANTY

R.L. DRAKE COMPANY warrants to the original purchaser this product shall be free from defects in material or workmanship for three (3) years from the date of original purchase.

During the warranty period the R.L. DRAKE COMPANY or an authorized Drake service facility will provide, free of charge, both parts and labor necessary to correct defects in material and workmanship. At its option, R.L. DRAKE COMPANY may replace a defective unit.

To obtain such warranty service, the original purchaser must:

- (1) Retain invoice or original proof of purchase to establish the start of the warranty period.
- (2) Notify the R.L. DRAKE COMPANY or the nearest authorized service facility, as soon as possible after discovery of a possible defect, of:
 - (a) the model and serial number,
 - (b) the identity of the seller and the approximate date of purchase; and
 - (c) A detailed description of the problem, including details on the electrical connection to associated equipment and the list of such equipment.
- (3) Deliver the product to the R.L. DRAKE COMPANY or the nearest authorized service facility, or ship the same in its original container or equivalent, fully insured and shipping charges prepaid.

Correct maintenance, repair, and use are necessary to obtain proper performance from this product. Therefore carefully read the Instruction Manual. This warranty does not apply to any defect that R.L. DRAKE COMPANY determines is due to:

- (1) Improper maintenance or repair, including the installation of parts or accessories that do not conform to the quality and specifications of the original parts.
- (2) Misuse, abuse, neglect or improper installation.
- (3) Accidental or intentional damage.

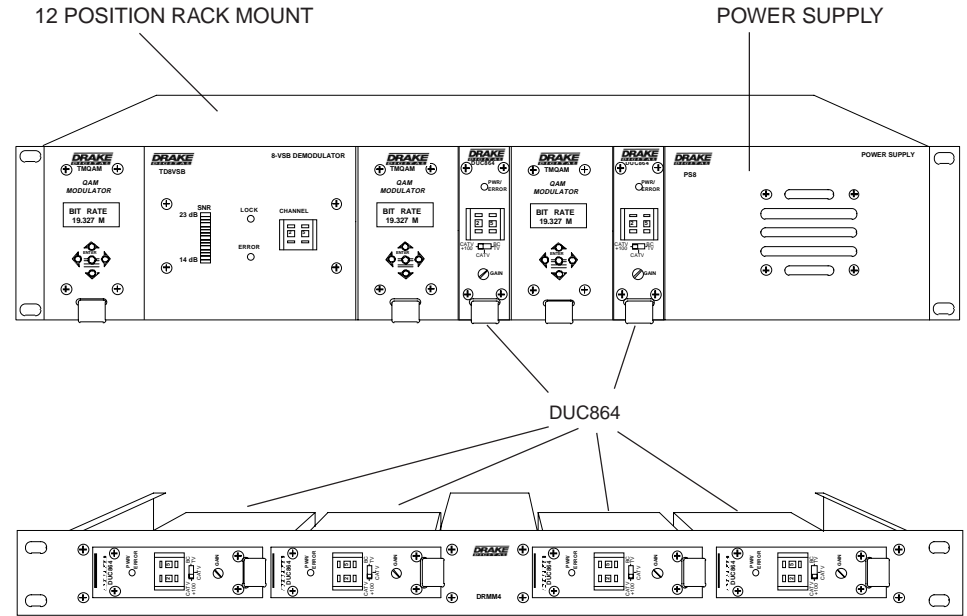
All implied warranties, if any, including warranties of merchantability and fitness for a particular purpose, terminate three (3) years from the date of the original purchase.

The foregoing constitutes R.L. DRAKE COMPANY'S entire obligation with respect to this product, and the original purchaser shall have no other remedy and no claim for incidental or consequential damages, losses or expenses. Some states do not allow limitations on how long an implied warranty lasts or do not allow the exclusions or limitation of incidental or consequential damages, so the above limitation and exclusion may not apply to you.

This warranty gives you specific legal rights and you may also have other rights which vary from state to state. This warranty shall be construed under the laws of Ohio.



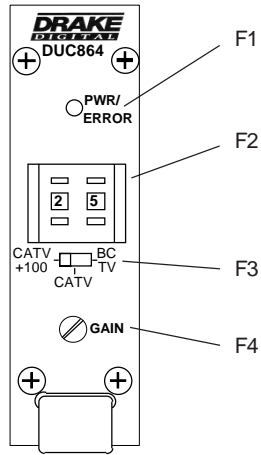
R.L. DRAKE COMPANY
 230 INDUSTRIAL DRIVE
 FRANKLIN, OHIO 45005 U.S.A.
CUSTOMER SERVICE AND PARTS TELEPHONE: +1 (937) 746-6990
TELEFAX: +1 (937) 806-1576
WORLDWIDE WEB SITE: <http://www.rldrake.com>



The R.L. Drake DUC864 is a low noise upconverter used to translate the 44 MHz digital IF signal from a QAM or VSB modulator, DDC downconverter, or other similar equipment to the desired CATV or off-air output channel. A single model covers the entire 54 to 864 MHz output range. The DUC864 features low phase noise and can be used for QAM modulation up to 256 QAM. This module can be rack mounted using the DRMM4 or DRMM12 rack mount. The PS8 power supply module is required with the DRMM12.

™ is a trademark of the R.L. Drake Company

DRAKE is a registered trademark of the R.L. Drake Company



F1 - POWER/ERROR Indicator

Lights when the unit is connected to the required source of DC power via the rear panel DC INPUT connector. A flashing condition indicates an invalid channel setting or other conditions that would cause the unit to operate on an invalid channel. The RF output is switched off for flashing (ERROR) conditions.

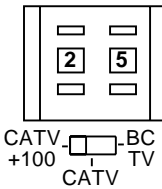
F2 - Channel Number Switch

Sets the desired operating channel for standard CATV or Broadcast channel plans. See also Item F3 which sets the type of channel (CATV or Broadcast TV) and sets the leading "1" for CATV channels 100 through 135.

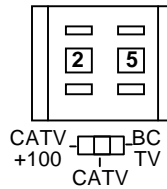
F3 - Channel Mode Switch

Sets the type of channel, CATV or Broadcast. The CATV +100 mode sets a leading "1" for CATV channels 100 through 135.

For example:
Setting for CATV
channel "125"-



For example:
Setting for CATV
channel "25"-



F4 - GAIN Control

This control sets the RF output level. The full clockwise setting is a minimum output of +45 dBmV.

IF INPUT

Frequency: 44 MHz.
Input Level: +30 dBmV, ±2 dB.
Input Impedance: 75 Ohms, return loss >20 dB.

OUTPUT

Frequency Range: 54 to 864 MHz;
CATV channels 02 through 135,
Broadcast TV channels 02 through 69.
Output level: +45 dBmV minimum, 15 dB adjustment range.
Broadband Noise: -73 dBc (6 MHz bandwidth) @ +45 dBmV output level.
In Channel C/N: -63 dB (6 MHz bandwidth) @ +45 dBmV output level.
Spurious Outputs (5 MHz to 900 MHz): -60 dBc @ +45 dBmV output level.
Output Impedance: 75 Ohms, return loss >10 dB typical.
Amplitude Flatness Over
6 MHz Channel: ±0.4 dB maximum.
SSB Phase Noise: -95 dBc @ 10 kHz offset, -70 dBc @ 1 kHz offset.
Frequency Stability: ±5 ppm.
MER: 30 dB minimum (unequalized),
38 dB minimum (with blind equalizer).

GENERAL +12 V ±5% at 300 mA.

DC Power Input: +5 V ±5% at 350.

Operation Temperature: 0°C to +50°C, ambient.
Size: 1" W x 3.5" H x 9.25" D
Weight: 14.5 oz.

Frequencies shown are the center of each 6 MHz wide channel.

VHF BROADCAST CHANNELS	
Channel Number	Center of Channel Frequency (MHz)
2	57
3	63
4	69
5	79
6	85
7	177
8	183
9	189
10	195
11	201
12	207
13	213

UHF BROADCAST CHANNELS	
Channel Number	Center of Channel Frequency (MHz)
14	473
15	479
16	485
17	491
18	497
19	503
20	509
21	515
22	521
23	527
24	533
25	539
26	545
27	551
28	557
29	563
30	569
31	575
32	581
33	587
34	593
35	599
36	605
37	611
38	617
39	623
40	629
41	635
42	641
43	647
44	653
45	659
46	665
47	671
48	677
49	683
50	689
51	695
52	701
53	707
54	713
55	719
56	725
57	731
58	737
59	743
60	749
61	755
62	761
63	767
64	773
65	779
66	785
67	791
68	797
69	803

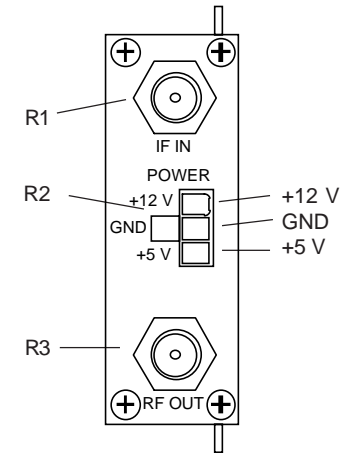


Figure 2

R1 - IF INPUT Connector

This is the 44 MHz IF input. The required level is +30 dBmV (from TMQAM or DDC, etc).

R2 - DC INPUT Connector

This 3-pin connector (Male) accepts the appropriate mating DC power cable. Observe proper orientation and wiring.

R3 - RF OUTPUT Connector

This is the upconverter output.

CONNECTIONS AND CONTROLS

All connections to and from each upconverter are made through the rear panel.

DESCRIPTION

Figure 3 shows a typical installation utilizing 4 DUC864 upconverters used with 4 TMQAM modulators. A PS8 power supply module is used to power all units.

RACK MOUNTING

Adequate ventilation is very important in multichannel installations. Units should be spaced apart by at least one panel height wherever possible, and some air movement is mandatory in enclosed rack cabinets. Excessive heat will shorten component life and modulator performance will be degraded without proper cooling.

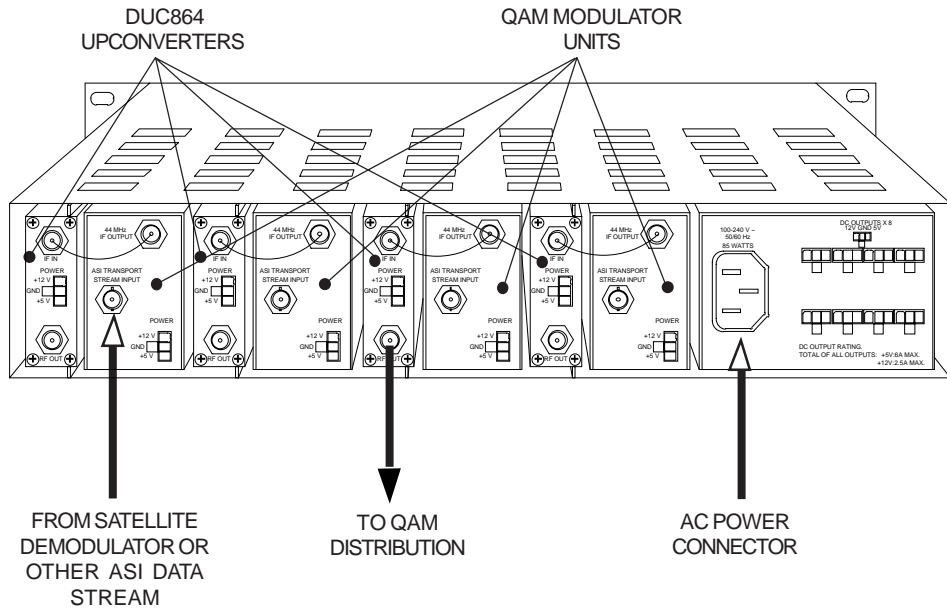


Figure 3

CABLE TV CHANNELS	
Channel Number	Center of Channel
EIA/NCTA Numeric Equivalent	Frequency in MHz
2	57
3	63
4	69
5	79
6	85
95	93
96	99
97	105
98	111
99	117
14	123
15	129
16	135
17	141
18	147
19	153
20	159
21	165
22	171
7	177
8	183
9	189
10	195
11	201
12	207
13	213
23	219
24	225
25	231
26	237
27	243
28	249
29	255
30	261
31	267
32	273
33	279
34	285
35	291
36	297

CABLE TV CHANNELS	
Channel Number	Center of Channel
EIA/NCTA Numeric Equivalent	Frequency in MHz
37	303
38	309
39	315
40	321
41	327
42	333
43	339
44	345
45	351
46	357
47	363
48	369
49	375
50	381
51	387
52	393
53	399
54	405
55	411
56	417
57	423
58	429
59	435
60	441
61	447
62	453
63	459
64	465
65	471
66	477
67	483
68	489
69	495
70	501
71	507
72	513
73	519
74	525
75	531
76	537
77	543
78	549

CABLE TV CHANNELS	
Channel Number	Center of Channel
EIA/NCTA Numeric Equivalent	Frequency in MHz
79	555
80	561
81	567
82	573
83	579
84	585
85	591
86	597
87	603
88	609
89	615
90	621
91	627
92	633
93	639
94	645
100	651
101	657
102	663
103	669
104	675
105	681
106	687
107	693
108	699
109	705
110	711
111	717
112	723
113	729
114	735
115	741
116	747
117	753
118	759
119	765
120	771
121	777
122	783
123	789
124	795
125	801
126	807
127	813
128	819
129	825
130	831
131	837
132	843
133	849
134	855
135	861