

RMOR1000-45 Rack Mount Fiber Optic Receiver



The RMOR1000-45 is a rackmount fiber optic receiver for receiving optical RF signals and distributing them in an RF system such as a CATV system or a PON network. This one-way node receives optical signals at 1310 – 1550 nm with a wide window of -8 to +2 dBm. The node has an output level of 45 dBmV while maintaining excellent distortion characters.

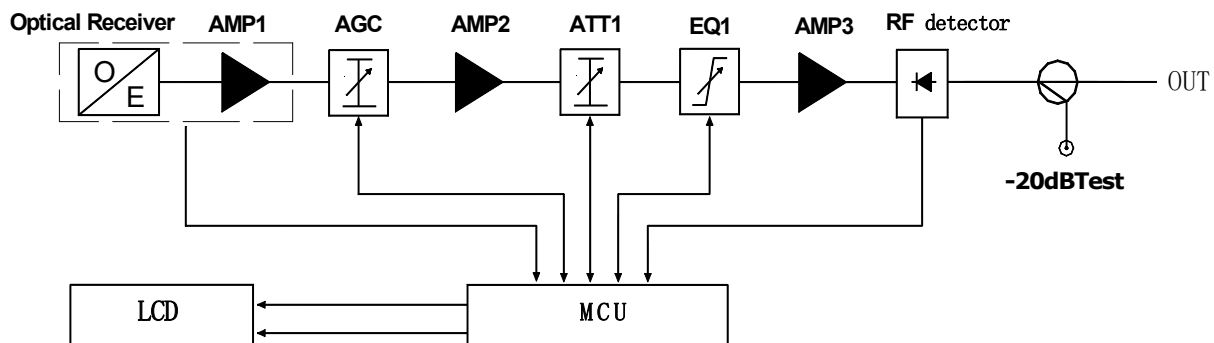
The RMOR1000-45 is built in a 1RU rackmount chassis with dual redundant power supplies to ensure operation even if one power supply were to fail. The chassis features an external cooling fan that is field replaceable without taking the receiver out of service or having to remove it from the rack.

Setup and control of the receiver can be accomplished via a front panel display and controls or by use of a IP connection.

The RMOR1000-45 is ideal for FTTX applications as well as anywhere a rack mount optical receiver is needed.

FEATURES

- 1RU Rackmount
- Receive Only Optical Node
- 45-1000 MHz Bandwidth
- 45 dBmV Output
- SC/APC Optical Connector
- 1100-1600 nm Optical Input
- -8 to +2 dBm Input Window
- AGC Range -6 to +2 dBm
- 90-240 VAC Powering
- Dual Redundant Power Supplies
- Field Replaceable Cooling Fan



RMOR1000-45 Rack Mount Fiber Optic Receiver

SPECIFICATIONS

Optical	
Optical Wavelength	1290-1600nm
Optical Input Window	-8 to +2 dBm
AGC Range	-6 to +2 dBm
Optical Return Loss	≥ 45 dB
Optical input Connector	SC/APC
RF	
RF Bandwidth	45-1000 MHz
RF Output level	45 dBmV
RF Output Level Control	30 to 45 dB in 1 dB steps
RF Output Tilt Control	0 to 15 dB in 1 dB steps
Flatness	≤ 0.75 dB
RF Output Return loss	≥ 16 dB
RF Connector	F Female
RF Test Point	-20 dB (front panel)
Composite Triple Beat (CTB)	≤ 67 dBc (@ -1dBm, 1310nm input)
Composite Second Order (CSO)	≤ 62 dBc (@ -1dBm, 1310nm input)
C/N	52 dB (@ -1dBm, 1310nm input)
Mechanical	
Housing	1RU rackmount
Size	1.75 x 19 x 21.6 (44.5 x 483 x 550 mm)
Weight	9 pounds (4.0 KG)
Operating Temperature	20 to 130°F (-7 to 45°C)
Power Consumption	14.5 W
Power Supply (two each)	90-230 VAC US plug, (EIA Power Cord)