

RMOR1220-40 Rack Mount Fiber Optic Receiver



The RMOR1220-40 is a rackmount fiber optic receiver for receiving optical RF signals and distributing them in an RF system such as a CATV system or a PON network. This one-way node receives optical signals at 1310 – 1550 nm with a wide window of -8 to +2 dBm. The node has an output level of 40 dBmV while maintaining excellent distortion characters.

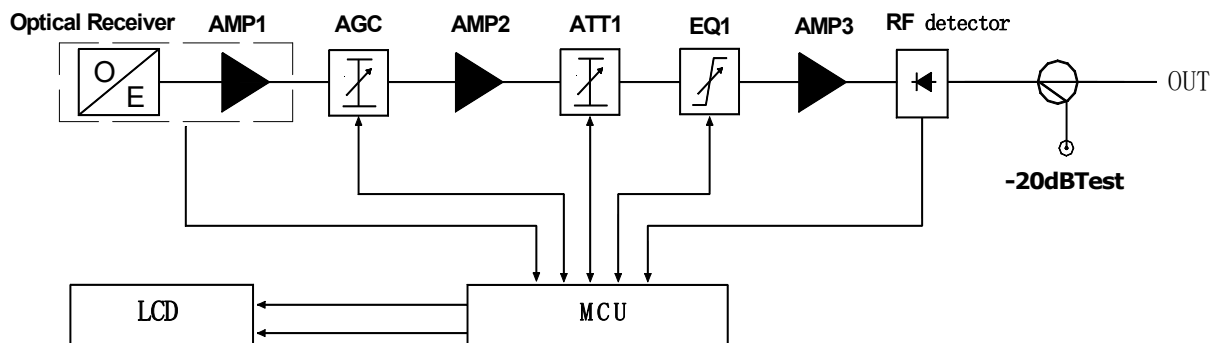
The RMOR1220-40 is built in a 1RU rackmount chassis that is only 9" deep and weighs less than 5 pounds.

Setup and control of the receiver can be accomplished via a front panel display.

The RMOR1220-40 is ideal for FTTX applications as well as anywhere a rack mount optical receiver is needed.

FEATURES

- 1RU Rackmount
- Receive Only Optical Node
- 45-1220 MHz Bandwidth
- 40 dBmV Output
- SC/APC Optical Connector
- 1100-1600 nm Optical Input
- -8 to +2 dBm Input Window
- AGC Range -6 to +2 dBm
- 90-240 VAC Powering
- Field Replaceable Cooling Fan



RMOR1000-45 Rack Mount Fiber Optic Receiver

SPECIFICATIONS

Parameter	Notes	Fiber Optic Receiver	Units
Optical Performance			
Wavelength		1290-1600	nm
Input range		-8 to +2	dBm
Input AGC range		-6 to +2	dBm
RF Performance			
Bandwidth		45-1220	MHz
Gain Flatness		± 1,5	dB
Gain Control	Display	0 to 20 dB in 1 dB steps	dB
Slope Control	Display	0 to 20 dB in 1 dB steps	dB
Output Return Loss		Typ. ≤ -14	dB
Test Points		-30 ± 1,5	dB
Link Performance			
0 dBm optical input power, NTSC 74 analog channels, 109.25 to 547.25 MHz, +75 SC-QAM-256 digital channels, 555 to 999 MHz -6 dB offset relative to the analog carrier.			
Output Level		min. 40 dBmV (stable from -6 to +2 dBm optical level due to AGC)	dBmV
CTB		-60	dBc
CSO		-60	dBc
C/N		52	dB
Xmod		57	dBc
MER	0dBm optical input power, Full digital 120 channels, (257 MHz -1209 MHz SC-256-QAM)	38 (min 35 at optical input power -6 dBm)	dB
Electrical & Physical Performance			
Surge Withstand		IEEEEC62.41-Cat.A3 (6kV, 200A)	
Power Consumption		4,5	Watts
Input/Output Connections		SC-APC / F Type	
Operating Temperature Range		20° to 114° F (-7° to 45° C)	° F (° C)
Enclosure		RACK TYPE	
Power Requirement		Input 90-240VAC, 50-60Hz, 1A	
Powering		12-24 VDC external via F type connector	VDC
Weight		4.2 lbs (1.9 kgs)	lbs (kgs)
Dimensions		19"x8.5"x1.75" (484x214x45)	in (mm)