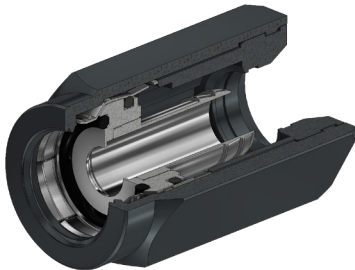


## EZ6-TLC RG6 Tool-less F Connector



EZ6



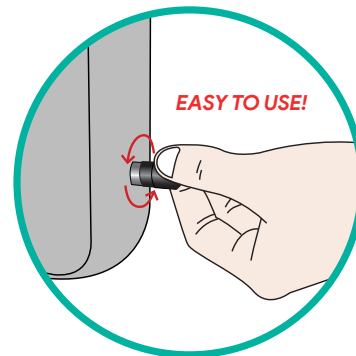
The EZ series with the outer sleeve offers easy installation and does not require a compression tool. EZ series provide excellent electrical connection and industry-leading shielding effectiveness. EZ series is designed for Cable TV and satellite dish antenna application.

### Technical data

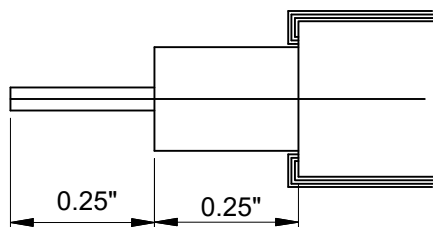
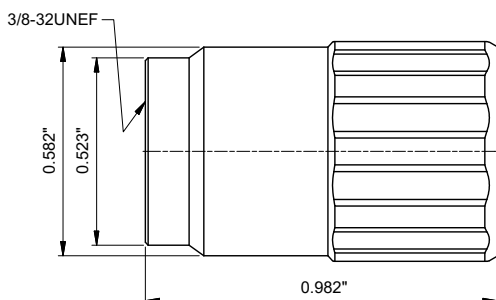
Electrical Specifications	
Frequency Range	0~3GHz
Impedance	75 Ohms
Return Loss	
5 to 1,000 MHz	-28 dB Minimum
1,000to 2,000 MHz	-24 dB Minimum
2,000 to 3,000 MHz	-20 dB Minimum
Operating Voltage	90 V (at 60 Hz continuous AC)
Cable Retention	40 lbs (18.16 kg) minimum

### Features

- Push On Connector
- For 60% Braid to Trishield RG6
- No Tool Needed to Install
- 40 Pound Cable Retention Force
- Less Than 0.02 dB Insertion Loss



Easy connector installation without special compression tools



RG6 STD. SHIELD  
CABLE STRIP DIMENSION

