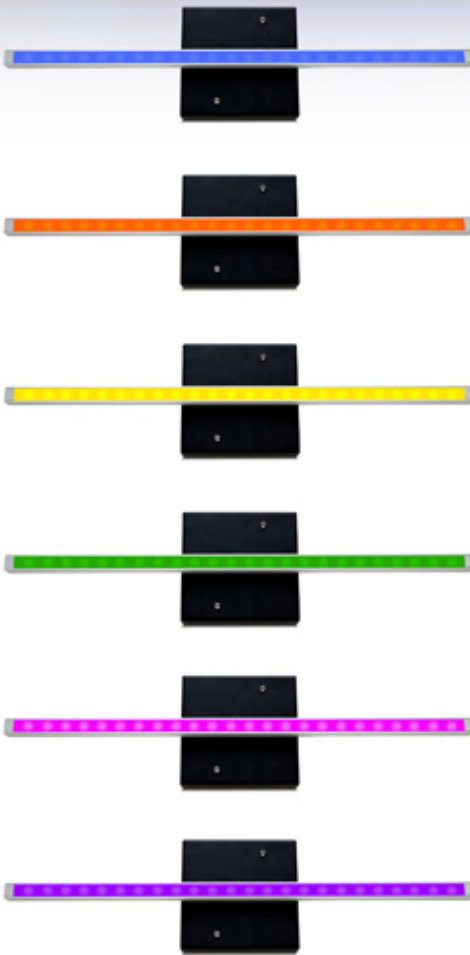


## LA-B18 Lumalert Bar



**Color is a universal language. Stoplights tell us to stop, go, or maybe go. In facilities, Red/Green often implies open/closed, occupied/available, or danger/safety. At many sites, colors have specific meanings such as Red Alert, Code Blue or engine status in firehouses. Slow or fast flashing or cycling colors can add emphasis.**

**The ability to integrate widely distributed color-coded alerts in a facility can be a new communication solution in the hands of a creative integrator.**

The Lumalert Bar can be a colorful solution for silent alert communication, networked facility-wide over a standard IP network. The sleek 18" aluminum bar hosts a row of bright RGB LEDs behind a white diffuser, displaying hundreds of programmable solid colors, powered via POE at less than 7W per unit. Surface mountable or to a standard 2-gang box, the light bar can be mounted in any orientation, horizontal or vertical. Integrated electronics with connections are available for Ethernet, local DC power, RS-232, and programmable contact closure inputs.

Controlled using a simple ASCII protocol, a networked system can operate with DHCP and thus not requiring static IP addresses. A control/testing/configuration software application can discover and manage all devices on the network. Integrators can also incorporate the published, open protocol into their preferred control system or software application.

### Applications:



First Responder Facilities



Healthcare Facilities



Educational Facilities

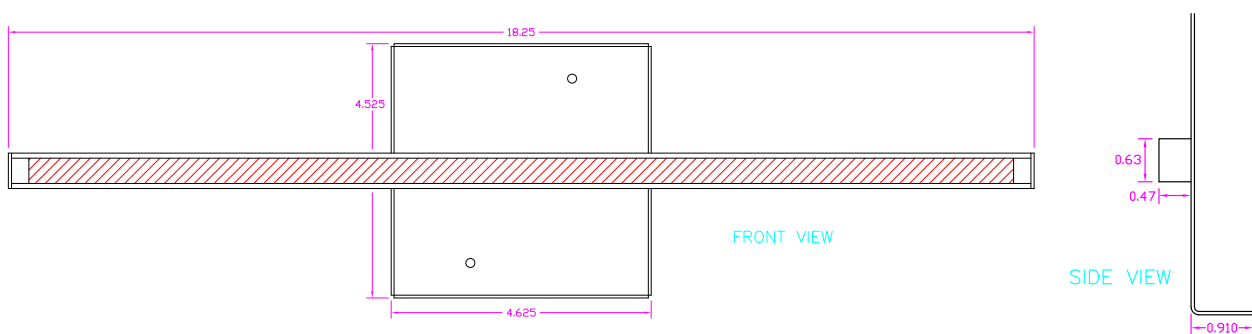


High Noise Industrial, Manufacturing, Production Facilities



Upscale Restaurants and Bars

## LA-B18 Lumalert Bar



The LA-B18 is a low voltage, remote controllable, visual signaling device. The 17.5 by 0.5 inch RGB LED optical element has programmable color and intensity which may be stored as a preset. The preset can be recalled by Ethernet or RS-232 serial command or by contact closure.

The unit is ideal for any location where visual signaling is desired. Sites can include health care facilities, first responder facilities, education facilities, or high noise environments such as industrial, manufacturing, or production facilities.

Programming may be accomplished via Ethernet Telnet or RS-232 serial commands or using on-board DIP switches.

### FEATURES

- 17.5 by 0.5 inch RGB LED bar element
- Hundreds of colors and intensities available
- Flashing mode
- Color preset stored in non-volatile memory
- Integrated electronics
- May be mounted at any orientation
- Surface mountable or mounts in standard 2-gang electrical enclosure
- Simple ASCII 2-way RS-232/Ethernet Telnet commands
- Powered via PoE or optional external 12 VDC 1 A power supply

### SPECIFICATIONS

**Physical** **Size (WHD):** 18.25" [464 mm] wide, 4.53" [115 mm] height, 1.38" [35 mm] deep  
**Weight:** 0.60 lbs [300 g]  
**Enclosure:** Aluminum with black powder coat paint for base  
**Mounting:** Wall or ceiling flush mount or to 2-gang electrical box



**Rear Panel** **RS-232:** 3.5 mm TRS, RS-232 data link to PC or control system, 9600 to 38.4K baud  
**Ethernet:** RJ-45 10/100M for configuration and control, PoE (7W max)  
**Control Port:** Detachable 5-position 3.5mm terminal block  
 1 - Ground -  
 2 - Logic Input 1 (closure to Ground)  
 3 - Logic Input 2  
 4 - Logic Input 3  
 5 - Power In +  
**Power In:** 2.1 mm coaxial jack (inside center conductor positive)  
 0.6 A maximum, 11.5 to 14 VDC, 12 VDC typical

**Options** PS12-1 Switching power supply, 12 VDC 1 A